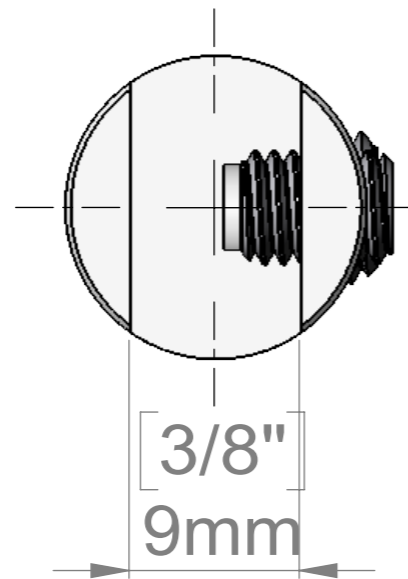
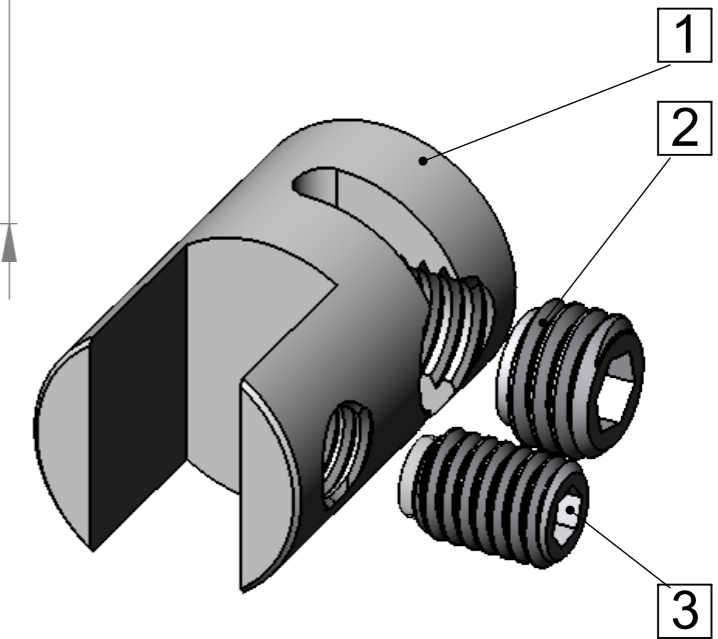
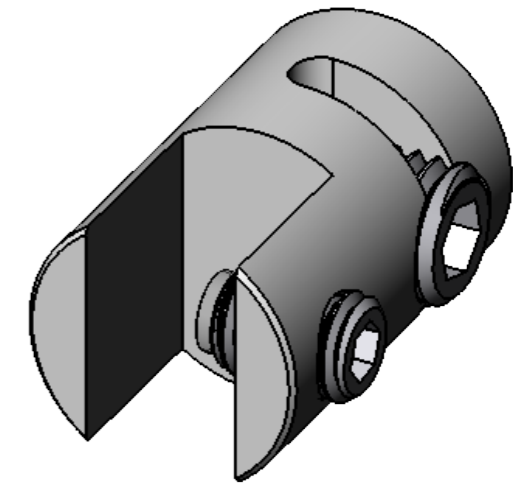
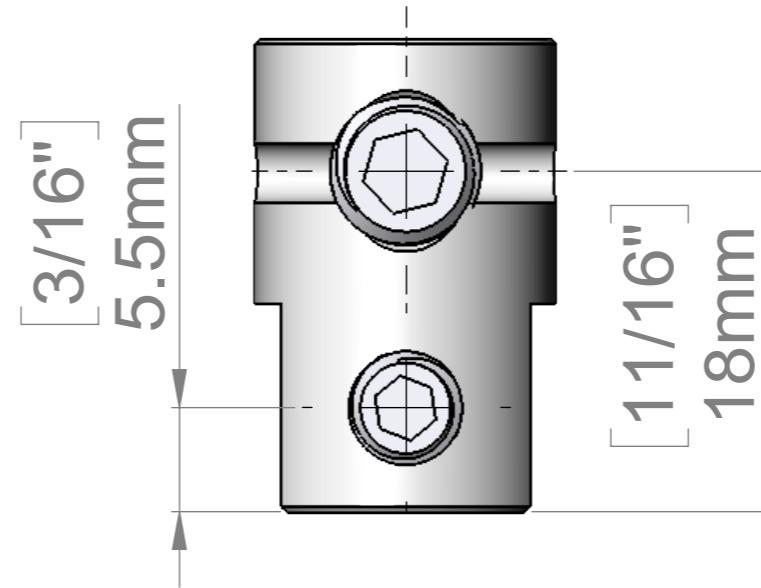
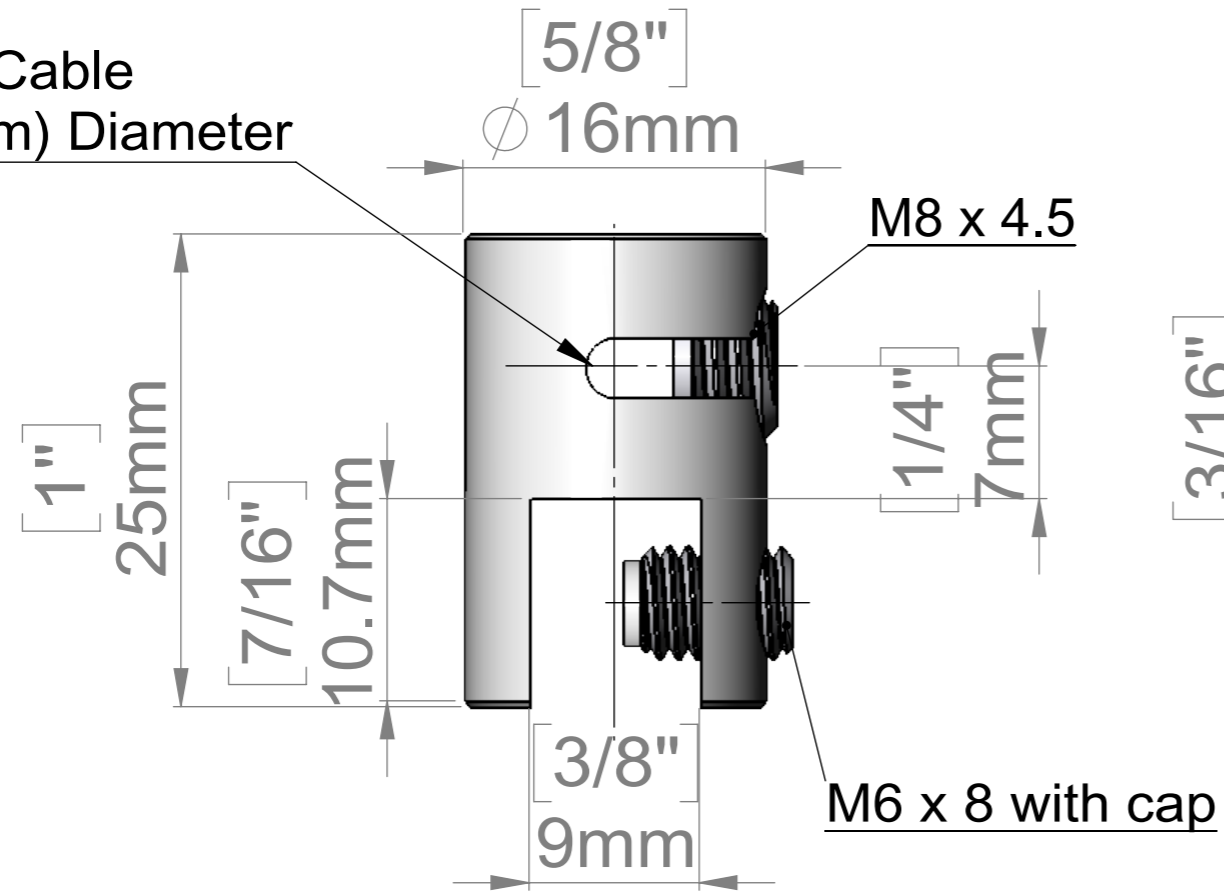
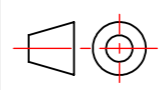


For Cable
1/8" (3.0mm) Diameter



ITEM NO.	PART NUMBER	DESCRIPTION	QTY.
1	RA31610A		1
2	M8 x 4.5		1
3	M6x8 with cap		1

Title : CA31610			Scale : 2.5:1	
			Sizes : Letter Landscape	
Material:		Finish		Customer:
N°programme laser		N°prog. Mécanum.		Qty : Rep :
N° Plan : CA31610				