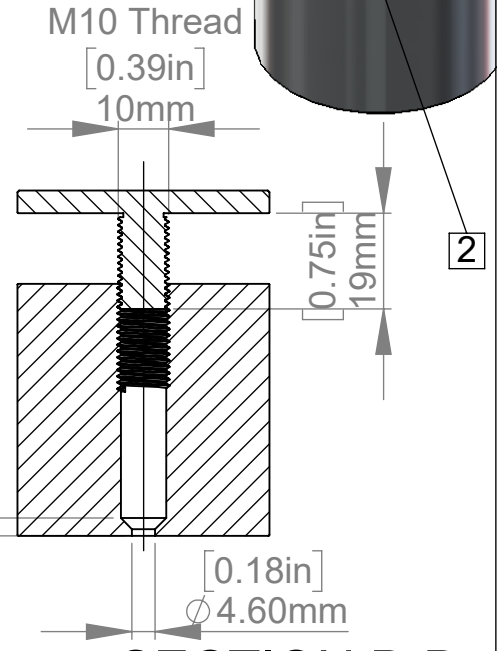
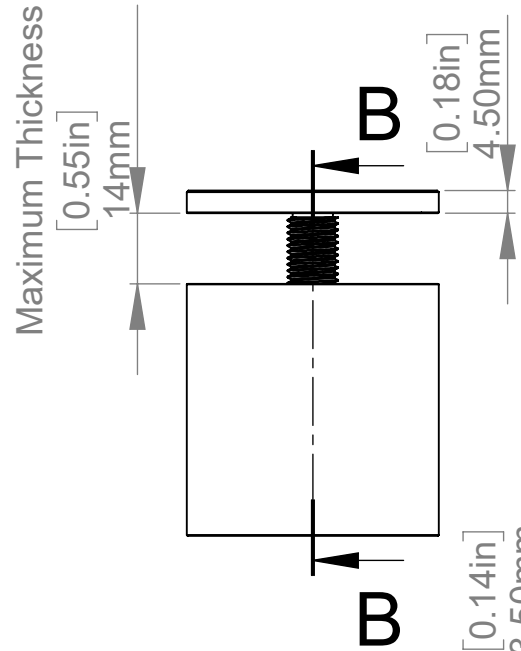
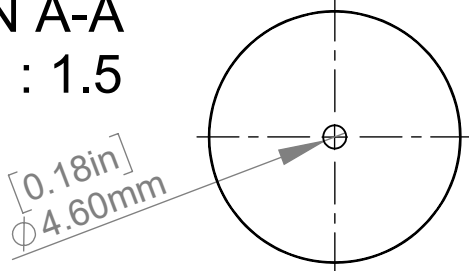


SECTION A-A
SCALE 1 : 1.5



SECTION B-B
SCALE 1 : 1.5

| ITEM NO. | PART NUMBER | DESCRIPTION | QTY. |
|----------|-------------|-------------|------|
| 1 | AS50-50-A | | 1 |
| 2 | AS50-50-B | | 1 |

| | | | |
|------------------------|--|-------------------|-------|
| Title : AS50-50 | | Scale : 1:1 | |
| | | Customer: | |
| Material: | | Finish | |
| N°programme laser | | N°prog. Mécanum. | |
| | | Qty : | Rep : |
| | | N° Plan : AS50-50 | |