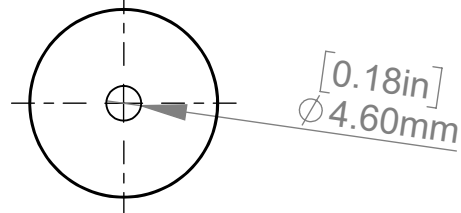
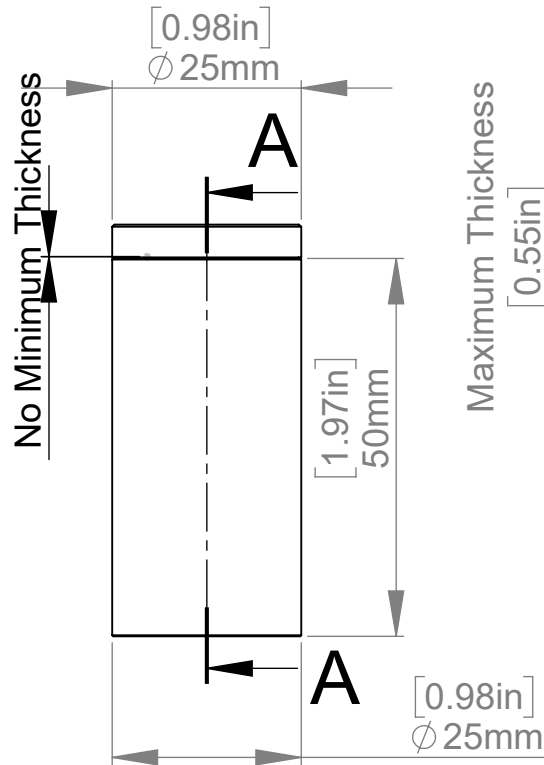
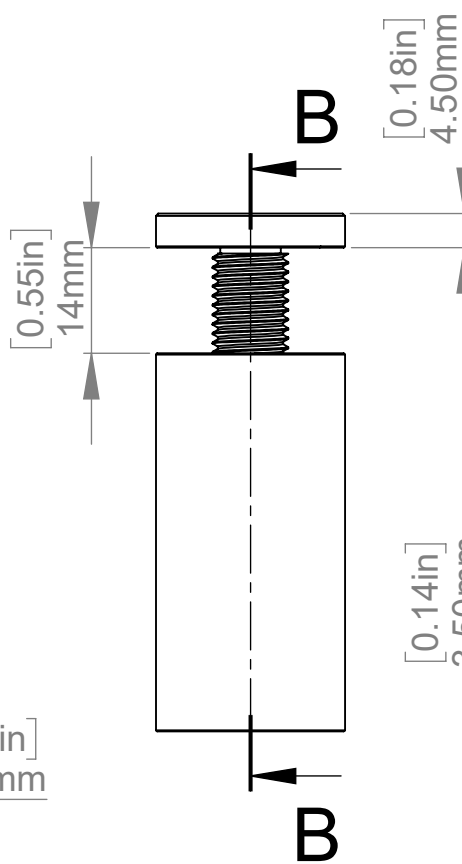


[0.18in]
Ø 4.60mm

SECTION A-A



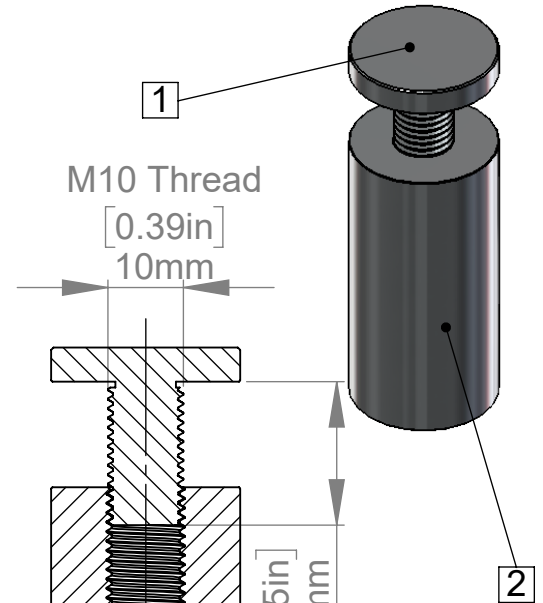
Maximum Thickness



[0.14in]
3.50mm

[0.18in]
Ø 4.60mm

SECTION B-B



ITEM NO.	PART NUMBER	DESCRIPTION	QTY.
1	AS25-50-A		1
2	AS25-50-B		1

Title : AS25-50			Scale : 1:1	
			Sizes : Letter Landscape	
Material:		Finish		Customer:
N°programme laser		N°prog. Mécanum.		Qty : Rep :
		N° Plan : AS25-50		