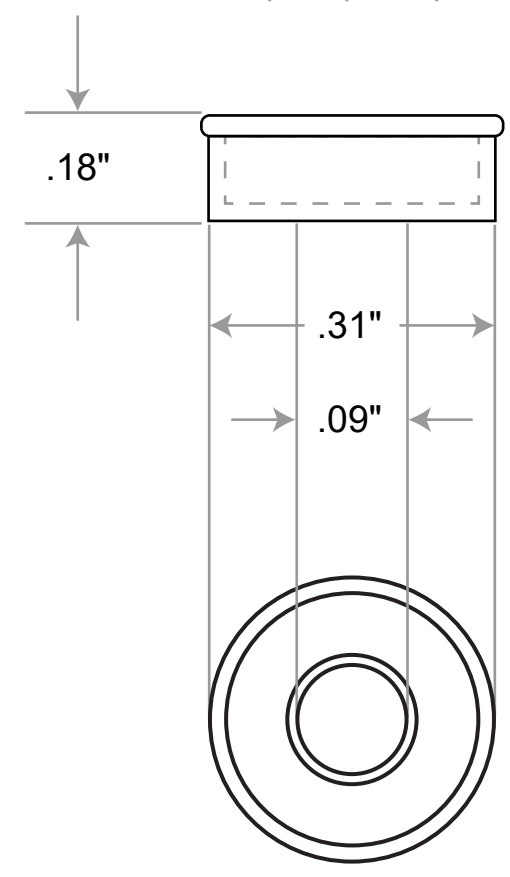


Snap-Cap washer for screw  
#6, #8, M3, M4



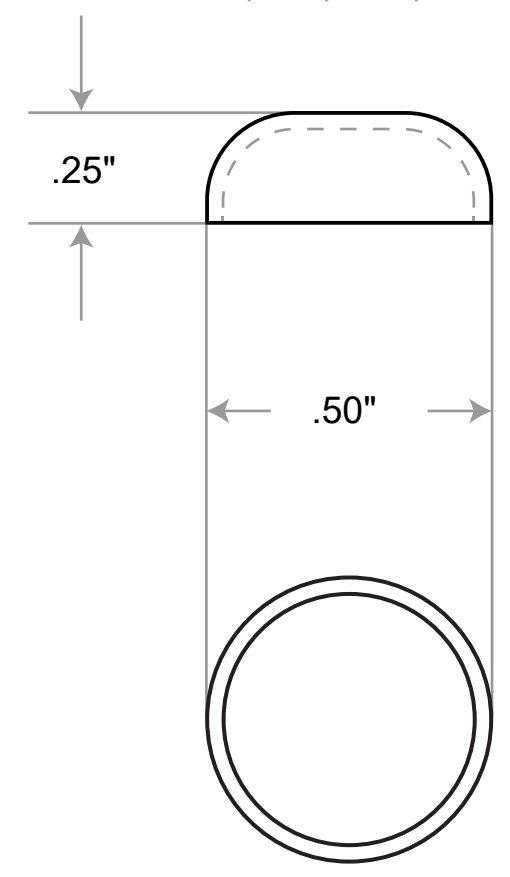
Washer for flat head  
screw use Item #: W6/8FB



Washer for countersunk  
screw use Item #: W6/8CS

*Washer Sold Separately*

Snap-Cap for screw  
#6, #8, M3, M4



*Drawing Is Not To Scale*

Title: SC6/8RBG		Cap Height: 1/4"		
		Diameter: 1/2"	Customer:	
	Material: High-Impact UV Stabilized Plastic	Finish: Royal Blue Gloss	Qty:	Rep:
	N° program laser	N° prog. Mecan	N° Plan: N° Plan:	