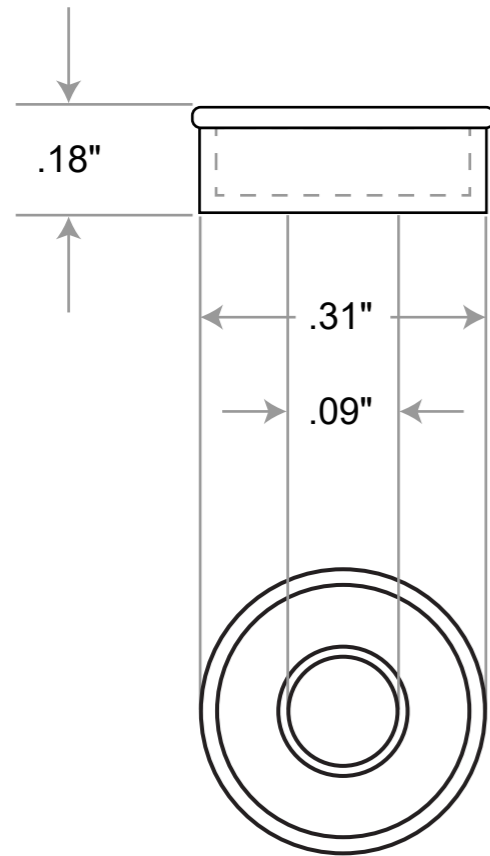
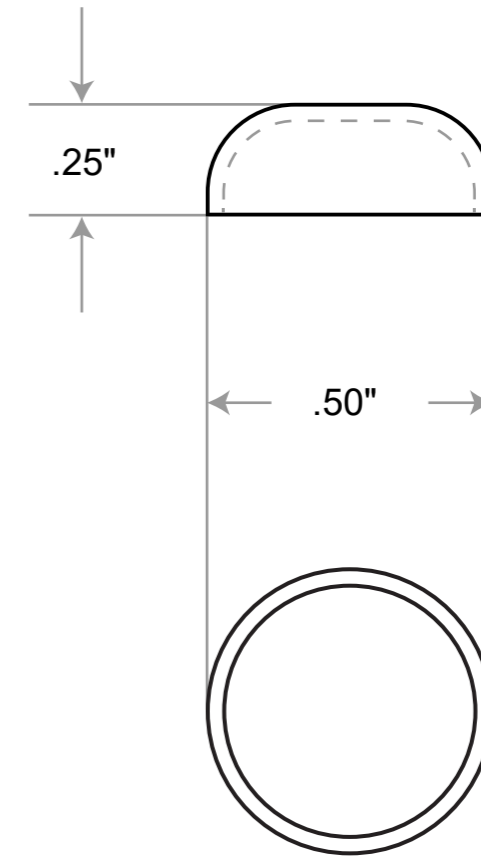


Snap-Cap washer for screw
#6, #8, M3, M4



Snap-Cap for screw
#6, #8, M3, M4



Washer for flat head
screw use Item #: W6/8FB

Washer for countersunk
screw use Item #: W6/8CS

Washer Sold Separately

Drawing Is Not To Scale

| | | | | |
|-----------------|---|--------------------------|-------------------|------|
| Title: SC6/8LGG | | Cap Height: 1/4" | | |
| | | Diameter: 1/2" | Customer: | |
| | Material: High-Impact UV Stabilized Plastic | Finish: Light Grey Gloss | Qty: | Rep: |
| | N° program laser | N° prog. Mecan | N° Plan: N° Plan: | |