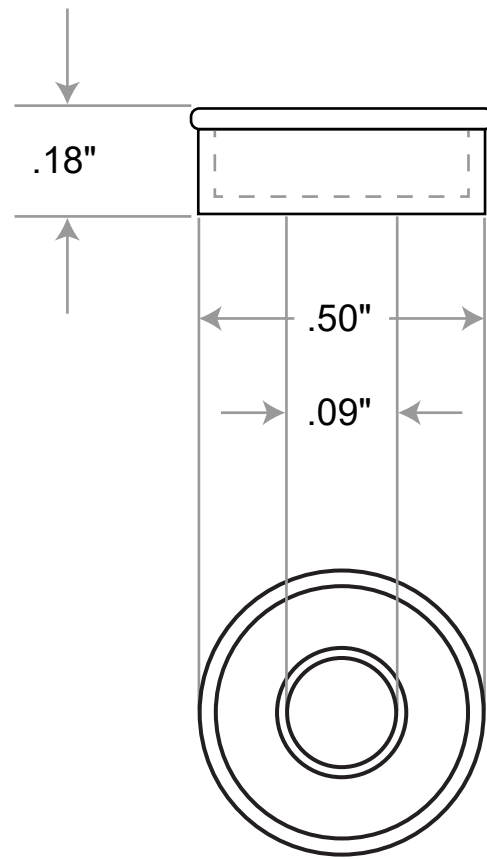


Snap-Cap washer for screw
#10, #12, #14, M5, M6

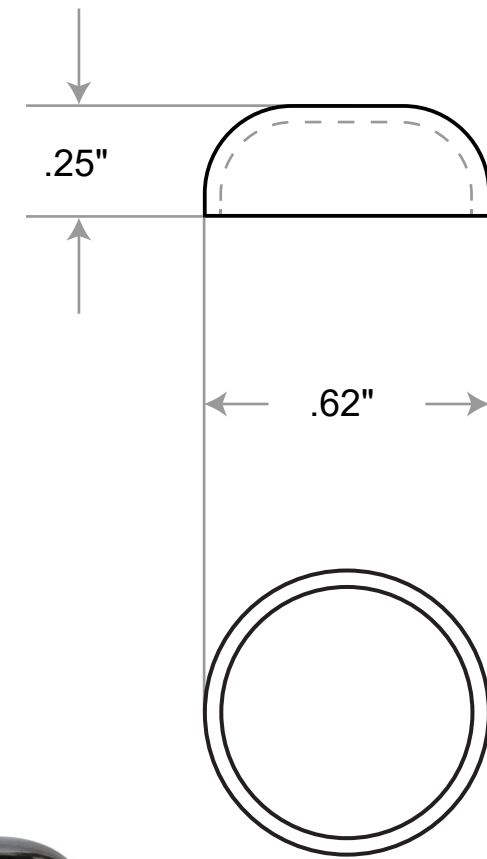


Washer for flat head
screw use Item #: W10/12FB



Washer for countersunk
screw use Item #: W10/12CS

Snap-Cap for screw
#10, #12, #14, M5, M6



Washer Sold Separately

Drawing Is Not To Scale

Item #: SC10/12EPC		Cap Height: 1/4"	Customer:	
		Diameter: 5/8"		
	Material: High-Impact UV Stabilized Plastic	Finish: Electroplated Polished Chrome	Qty:	Rep:
	N° program laser	N° prog. Mecan	N° Plan: N° Plan:	