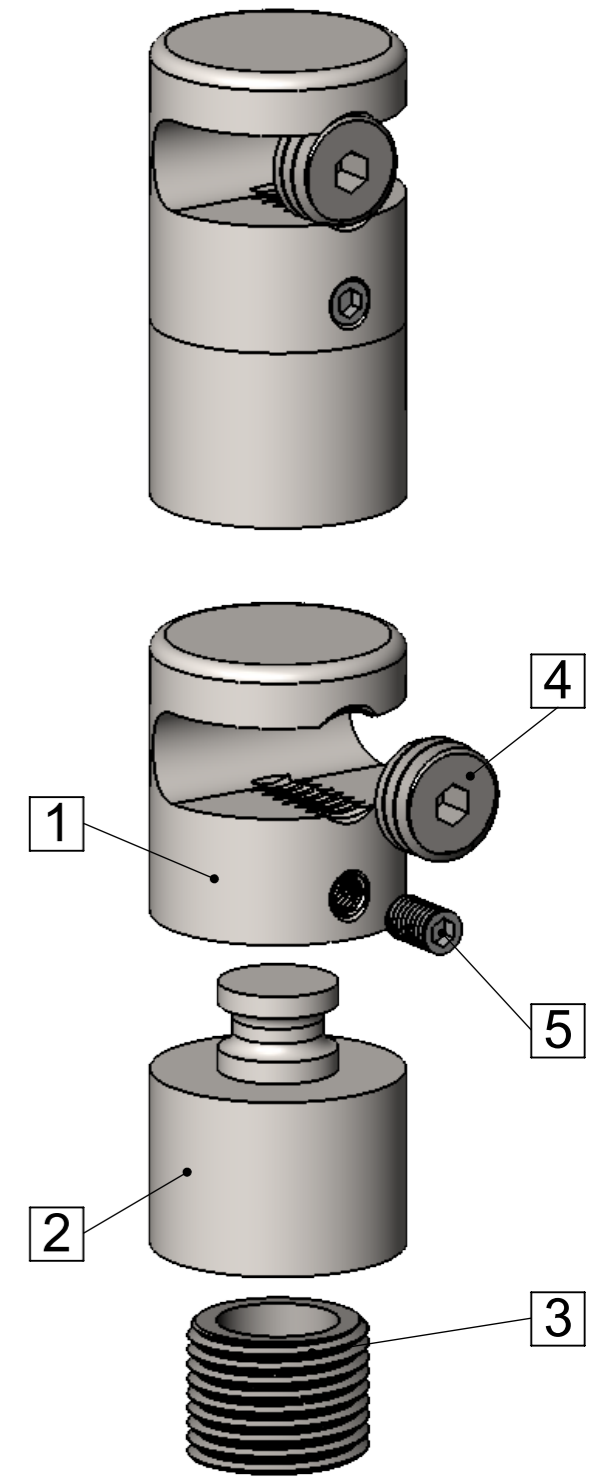


SECTION A-A
SCALE 3 : 1



ITEM NO.	PART NUMBER	DESCRIPTION	QTY.
1	SA1724A		1
2	SA1724B		1
3	SA1724C		1
4	M8x4.5		1
5	M3x5		1

Title : SSA1724			Scale : 2:1	Customer:		
			Sizes : Letter Landscape	Qty :	Rep :	
		Material: Stainless Steel 201	Finish TBD			
		N°programme laser	N°prog. Mécanum.	N° Plan : SA1724		