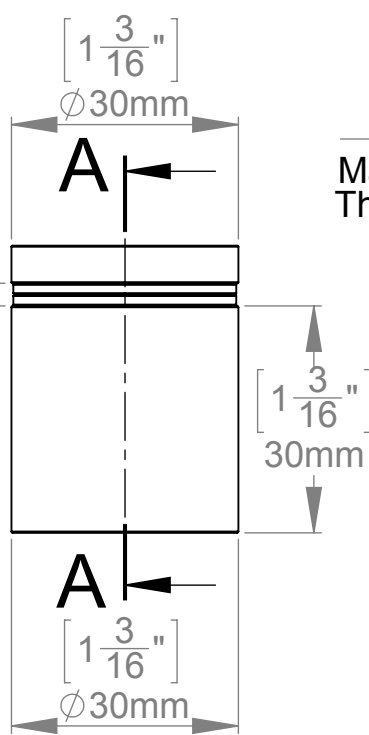
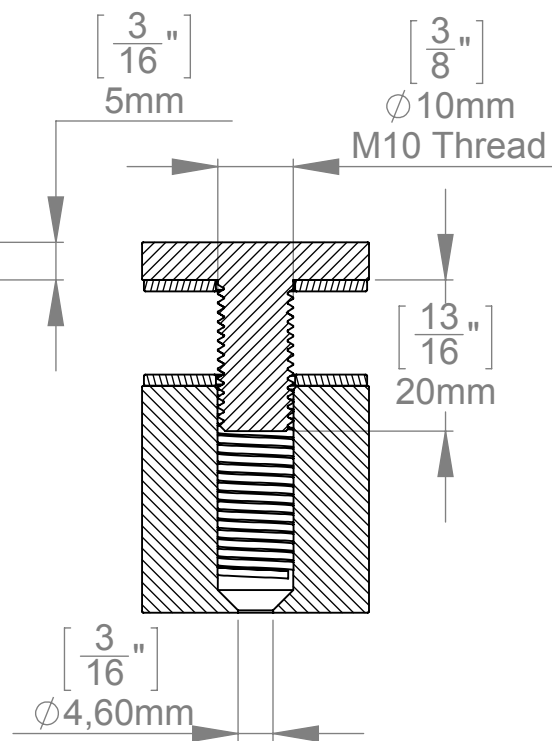
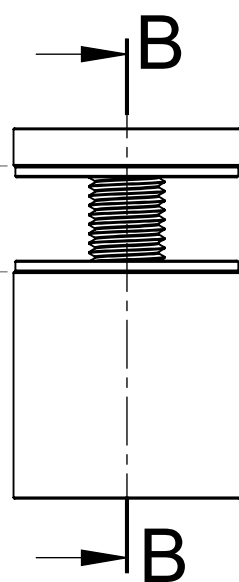


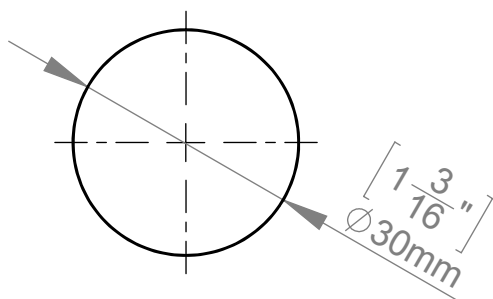
SECTION A-A



Maximum Thickness  
14mm  
9/16"



SECTION B-B



Item	Qty.	Description
1	1	SBL30-30 Body (Ø 30xH30)
2	1	LBL30 (M10) Head
3	2	LBL30 (M10) Washer

Title : <b>SBL30-30</b>		Scale : 1:1	
		Customer:	
Material:	Finish	Qty :	Rep :
N°programme laser	N°prog. Mécanum.	N° Plan :SBL30-30	