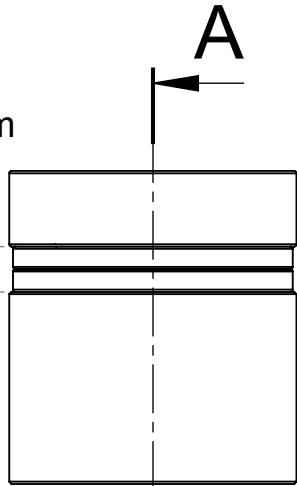


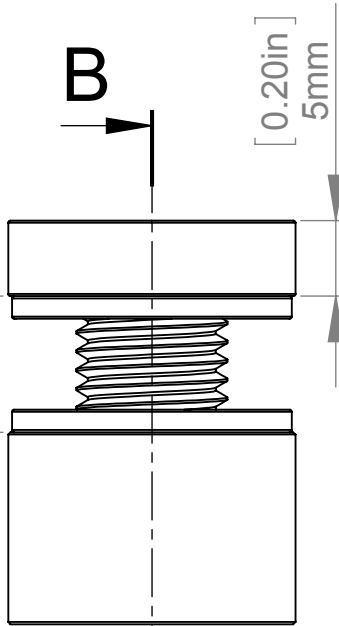
SECTION A-A

No Minimum Thickness



[0.35in]
9mm
Maximum Thickness

[0.50in]
12.70mm



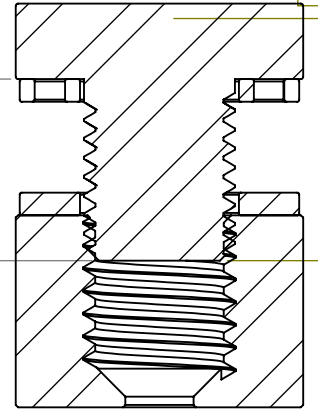
B

[0.20in]
5mm

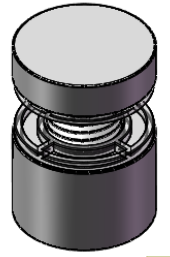
B

[0.75in]
Ø 19mm

[0.47in]
12mm



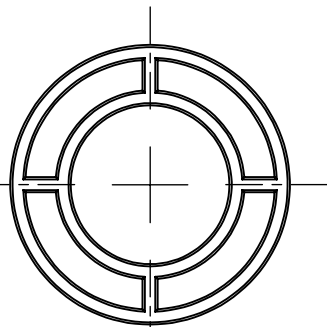
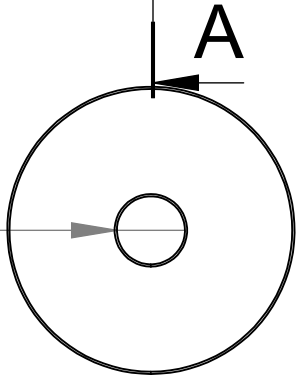
[0.63in]
16mm



SECTION B-B

Silicon Washer

[0.18in]
Ø 4.50mm



Item	Qty.	Description
1	1	SBL19-12 Body (19x12)
2	1	SL19 Head
3	2	SL19 Washer

Title : SBL19-12		Scale : 2:1	
		Customer:	
Material:		Finish	
N°programme laser		N°prog. Mécanum.	
		Qty :	Rep :
N° Plan : SBL19-12			

