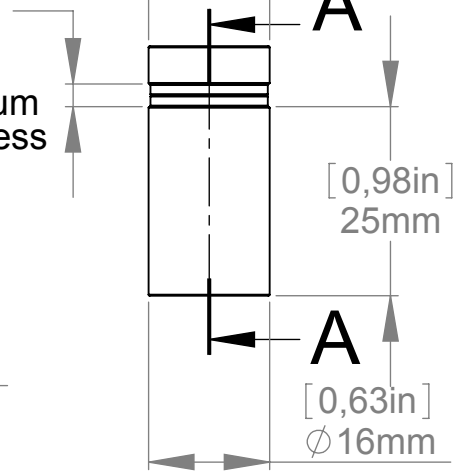
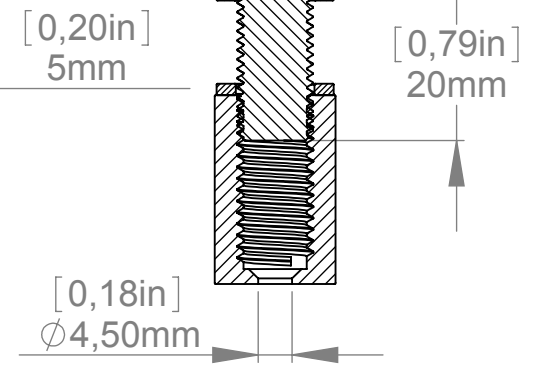
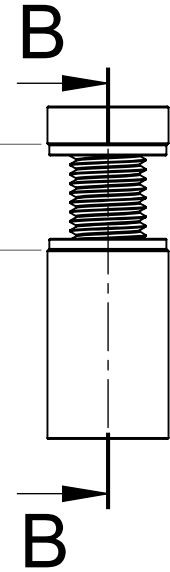


No Minimum Thickness

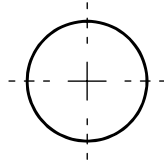


Maximum Thickness



SECTION A-A

SECTION B-B



Item	Qty.	Description
1	1	SBL16-30 (M10) Body (16x25)
2	1	LBLS16 (M10) Head
3	2	LBLS16 (M10) Washer

Title : <b>SBL16-30</b>		Scale : 1:1	
		Customer:	
Material:		Finish	
N°programme laser		N°prog. Mécanum.	
		Qty :	Rep :
		N° Plan : SBL16-30	

