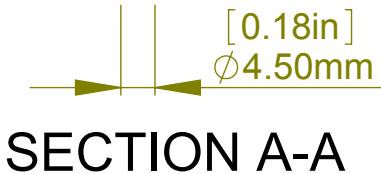
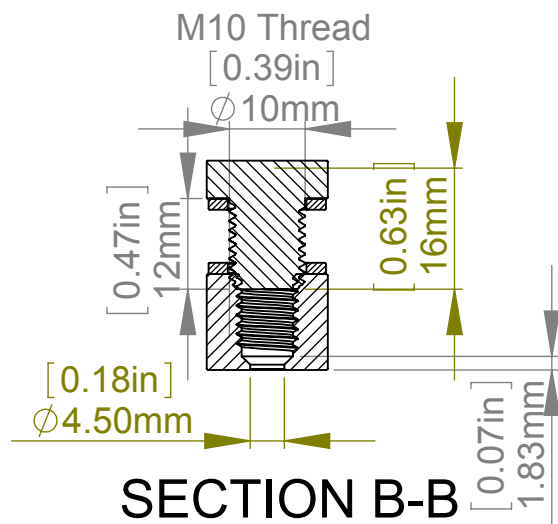
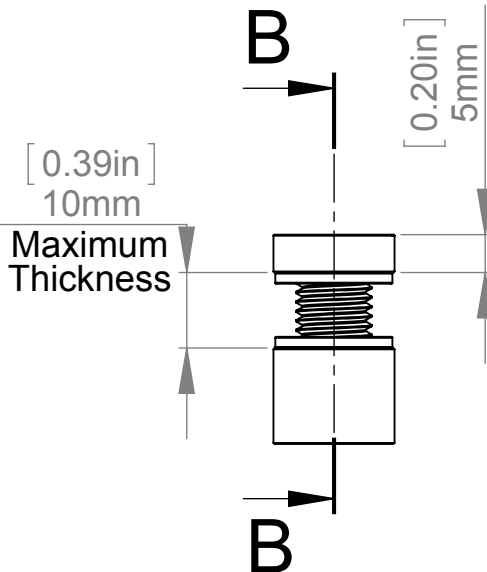
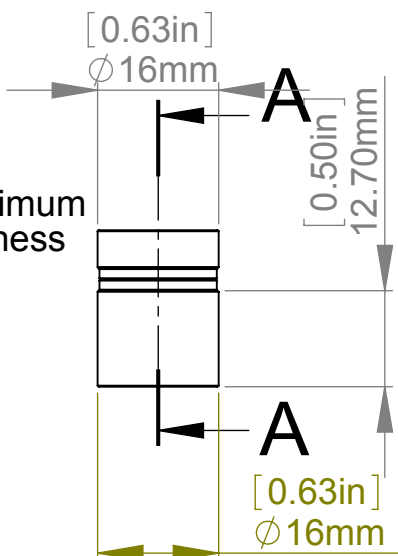
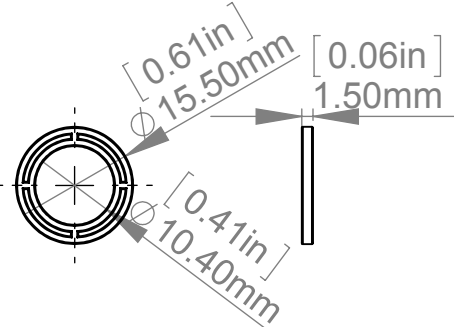


No Minimum Thickness



Silicone Washer



Item	Qty.	Description
1	1	SBL16-12 (M10) Body (16x12)
2	1	SBLS16 (M10) Head
3	2	SBLS16 (M10) Washer

Title : SBL16-12		Scale : 1:1	
		Customer:	
Material:		Finish	
N°programme laser		N°prog. Mécanum.	
		Qty :	Rep :
N° Plan : SBL16-12			