

[0.63in]
 \varnothing 15.88mm

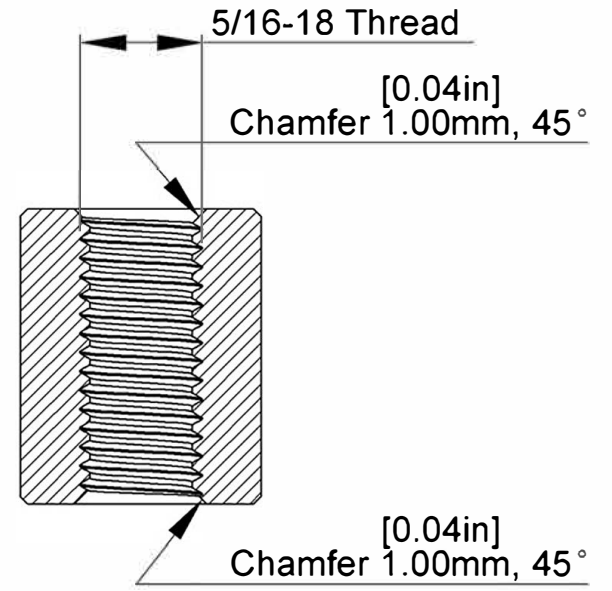
[0.02in]
 Chamfer 0.5mm, 45°

A

[0.77in]
 19.50mm

[0.02in]
 Chamfer 0.5mm, 45°

A



SECTION A-A

Title : S058-075			Scale : 2:1		
			Sizes : Letter Landscape		
		Material:		Customer:	
		N°programme laser		Qty :	Rep :
		N°prog. Mécanum.		N° Plan : S058-075	