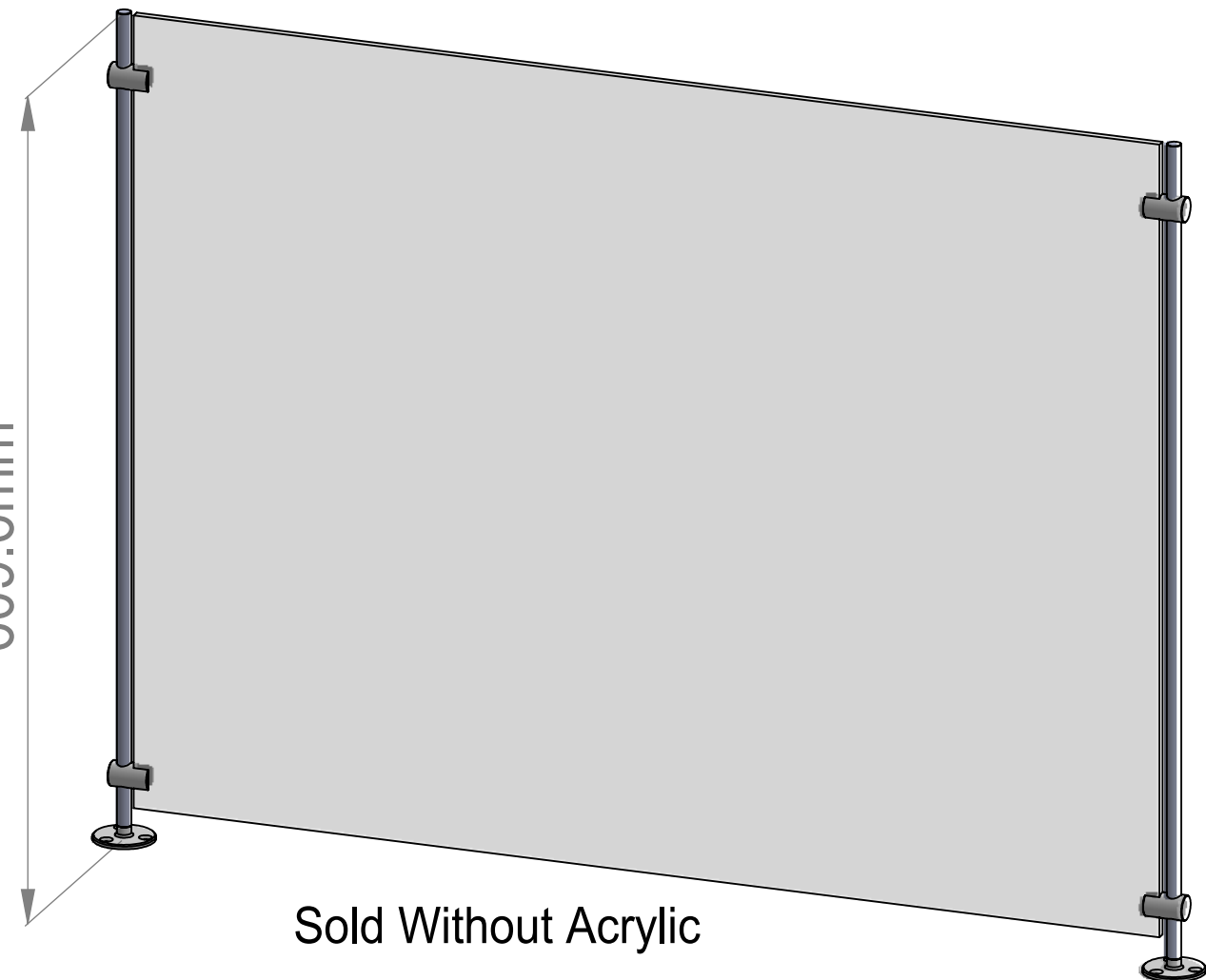


Set of 2

[24"]
609.6mm



Sold Without Acrylic

Material Accepted

Up to

[3/8"]

10mm

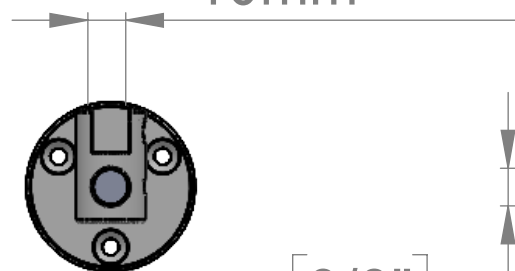
Adjustable Forks

[1/8"]

3mm

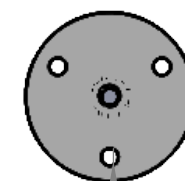
[1 3/4"]

∅ 44.5mm



[3/8"]

∅ 10mm

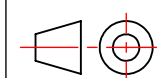


[3/16"]

∅ 4.5mm

[24"]
609.6mm

Title : RPSL24



Scale : 1:2

Sizes : Letter Landscape

Customer:

Material:

Finish

Qty :

Rep :

N°programme laser

N°prog. Mécanum.

N° Plan : RPS 24