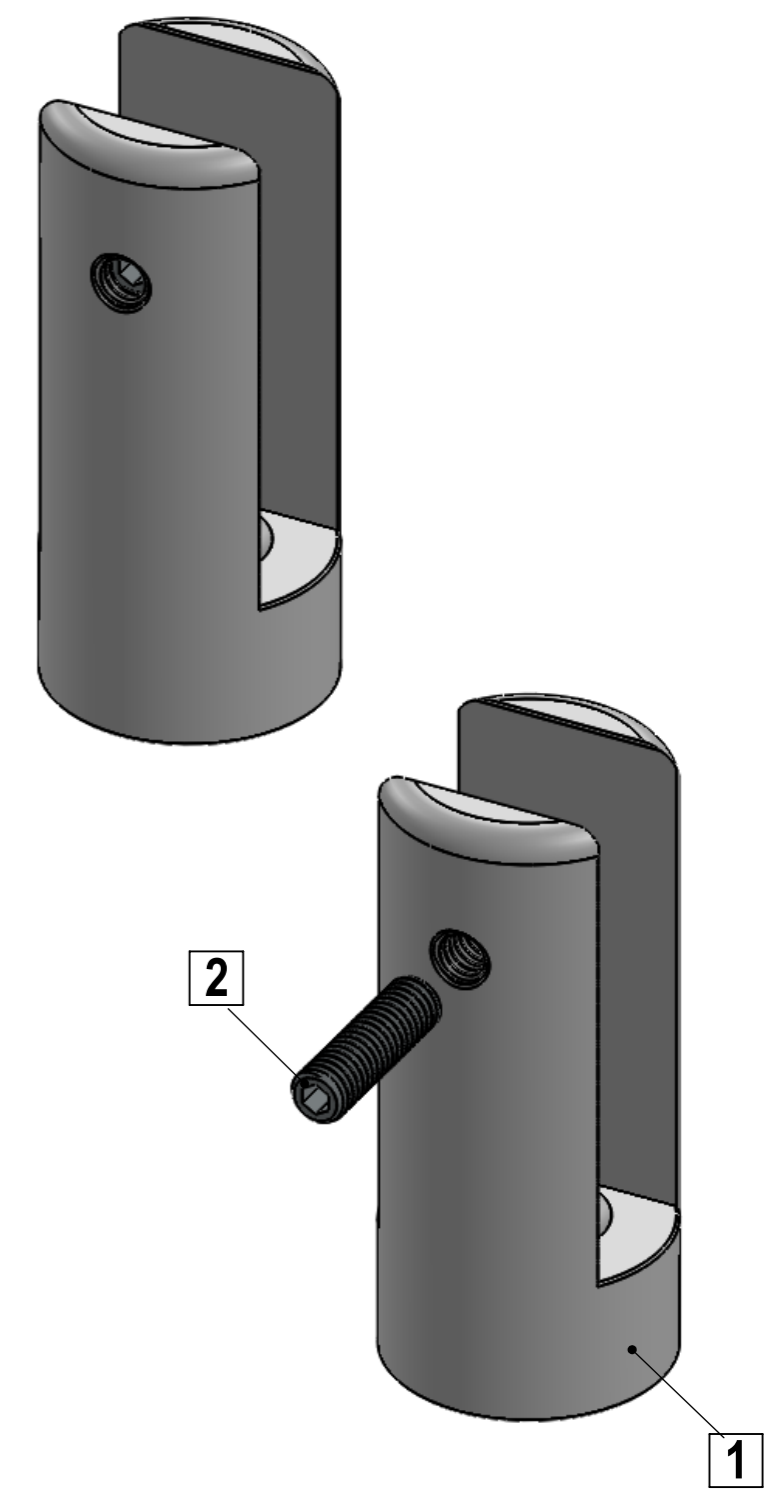


SECTION A-A
SCALE 2.5 : 1



| ITEM NO. | PART NUMBER | DESCRIPTION | QTY. |
|----------|-------------------|-------------|------|
| 1 | PGS375_Body | | 1 |
| 2 | Set_Screw_M4x16mm | | 1 |

| | | | | | |
|----------------|--|-------------------|--------------------------|------------------|-------|
| Title : PGS375 | | | Scale : 2:1 | Customer: | |
| | | | Sizes : Letter Landscape | Qty : | Rep : |
| | | Material: | Finish | | |
| | | N°programme laser | N°prog. Mécanum. | N° Plan : PGS375 | |