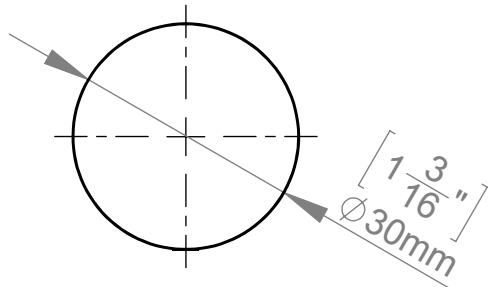
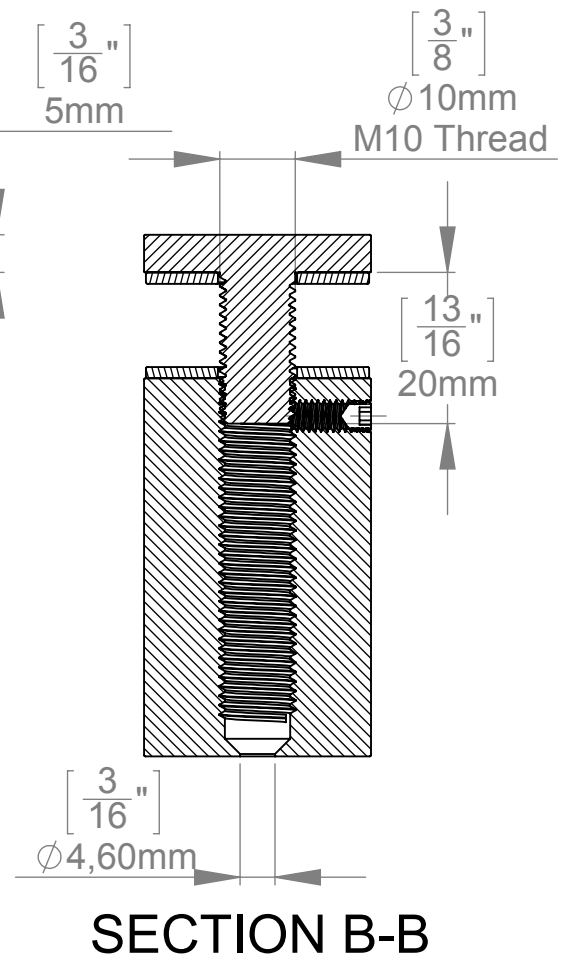
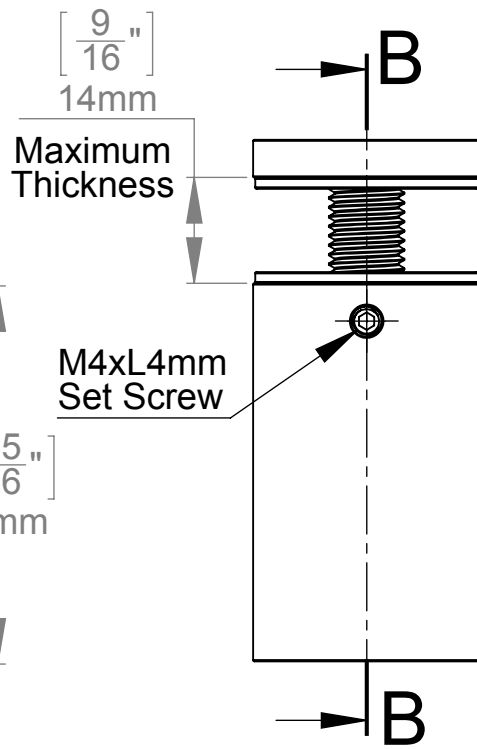
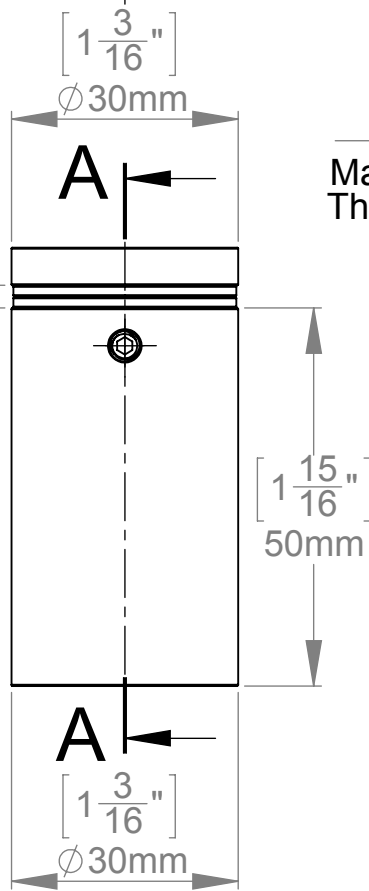


No Minimum Thickness



Item	Qty.	Description
1	1	LBL30-50 Body (ϕ 30xH50)
2	1	LBL30 (M10) Head
3	2	LBL30 (M10) Washer
4	1	M4xL4mm Set Screw

Title : LBL30-50		Scale : 1:1	
		Customer:	
Material:	Finish	Qty :	Rep :
N°programme laser	N°prog. Mécanum.	N° Plan : LBL30-50	