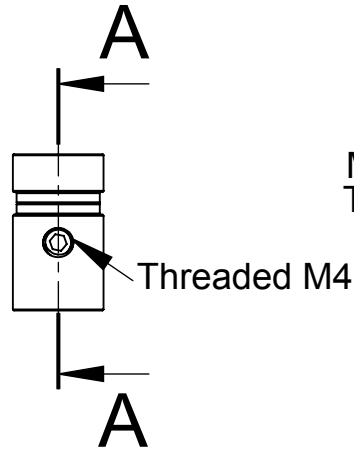
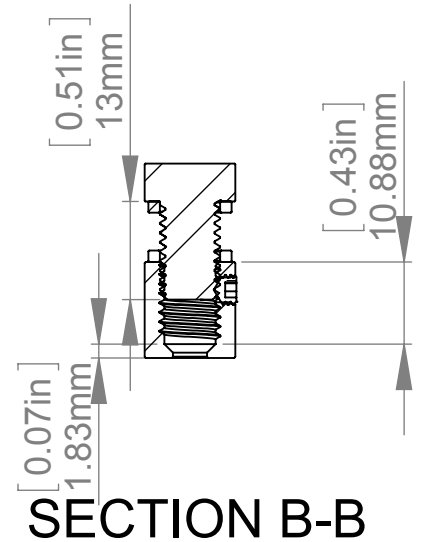
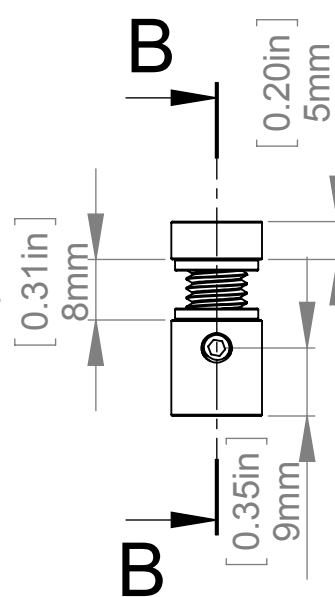


No Minimum Thickness

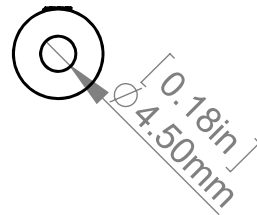


Maximum Thickness

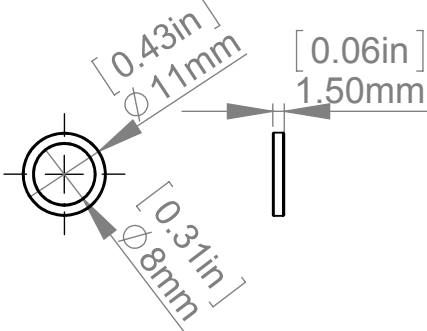


SECTION A-A

SECTION B-B



Silicone Washer



| Item | Qty. | Description           |
|------|------|-----------------------|
| 1    | 1    | LBL12-12 Body (12x12) |
| 2    | 1    | SBL12 Head            |
| 3    | 2    | SBL12 Washer          |
| 4    | 1    | SS Set Screw M4x3 mm  |

|                         |  |                  |       |
|-------------------------|--|------------------|-------|
| Title : <b>LBL12-12</b> |  | Scale : 1:1      |       |
|                         |  | Customer:        |       |
| Material: 304           |  | Finish           |       |
| N°programme laser       |  | N°prog. Mécanum. |       |
|                         |  | Qty :            | Rep : |
| N° Plan : LBL12-12      |  |                  |       |