

M4 Thread

$\left[ \frac{3}{16} \right]$   
 $\phi 4\text{mm}$

$\left[ \frac{1}{16} \right]$   
 $\phi 2\text{mm}$

$\left[ \frac{7}{8} \right]$   
 22mm

$\left[ \frac{1}{4} \right]$   
 6mm

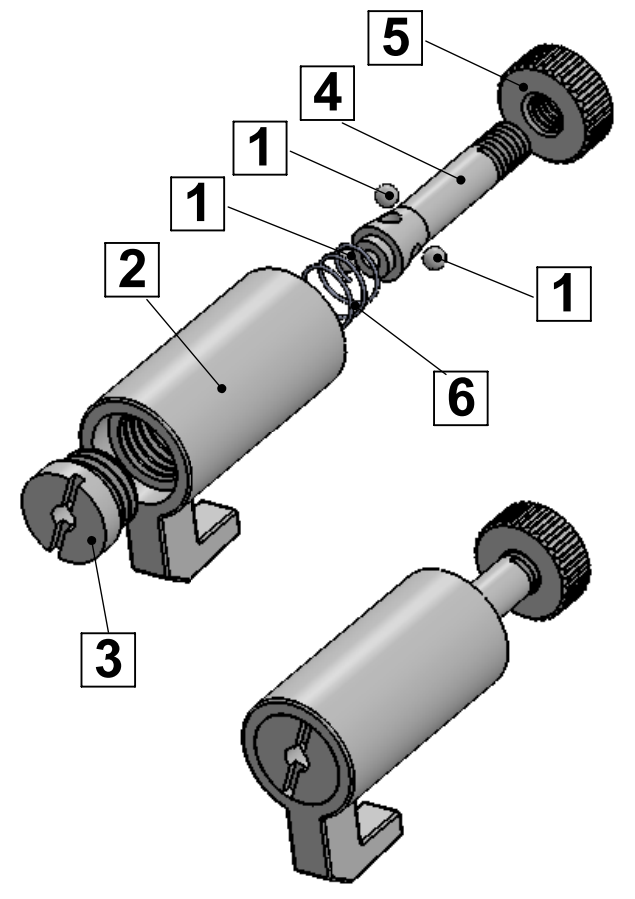
$\left[ \frac{7}{16} \right]$   
 11mm

M8 Thread

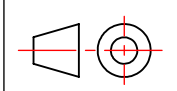
$\left[ \frac{5}{16} \right]$   
 $\phi 8\text{mm}$

$\left[ \frac{13}{16} \right]$   
 20mm

SECTION A-A  
 SCALE 3 : 1



ITEM NO.	PART NUMBER	DESCRIPTION	QTY.
1	HK-0007-CP ball 2mm		3
2	HK-0007-CP bodu		1
3	HK-0007-CP front cap		1
4	HK-0007-CP middle		1
5	HK-0007-CP nut		1
6	HK-0007-CP spring		1

Title : HK-0007-CP		 Scale : 1.5:1 Sizes : Letter Landscape	Customer:	
			Qty :	Rep :
Material:		Finish		N° Plan : HK-0007-CP
N°programme laser		N°prog. Mécanum.		