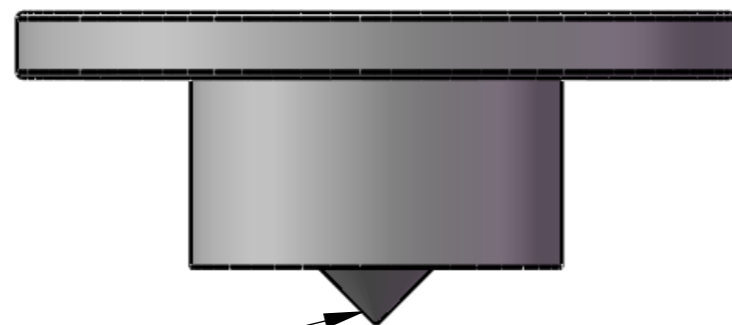
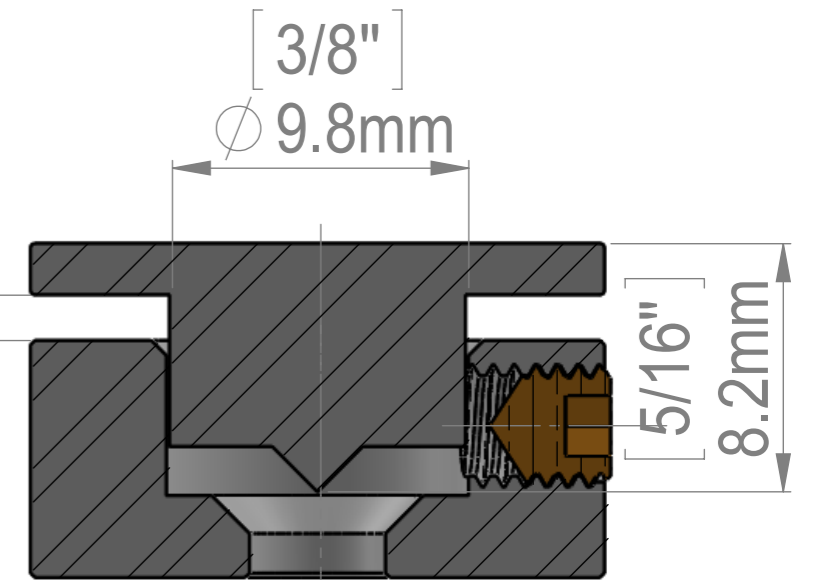
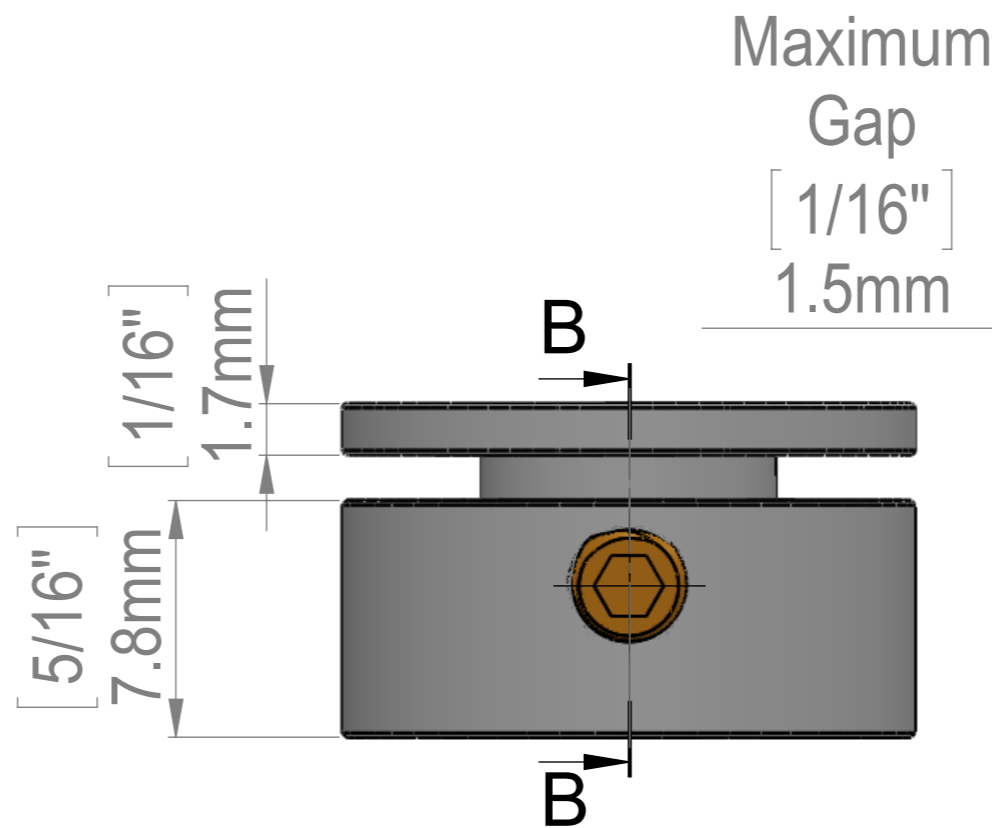


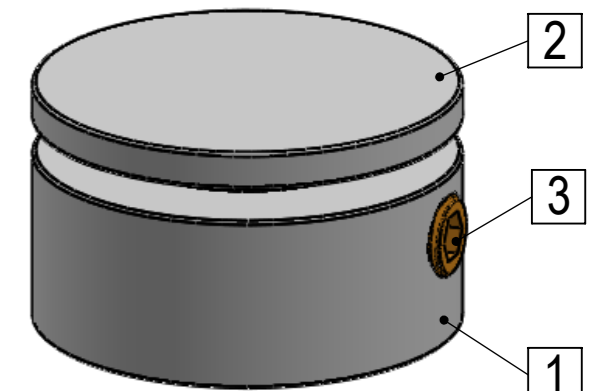
SECTION A-A
SCALE 4 : 1



Bit to mark material



SECTION B-B
SCALE 4 : 1



ITEM NO.	PART NUMBER	DESCRIPTION	QTY.
1	GS075-050_Body-19x12		1
2	GS075-050_Head		1
3	Set_Screw_M4xL4mm		1

Title : GS075-050		Scale : 3:1	
		Customer:	
Material:		Finish	
N°programme laser		N°prog. Mécanum.	
		Qty :	Rep :
N° Plan : GS075-050			