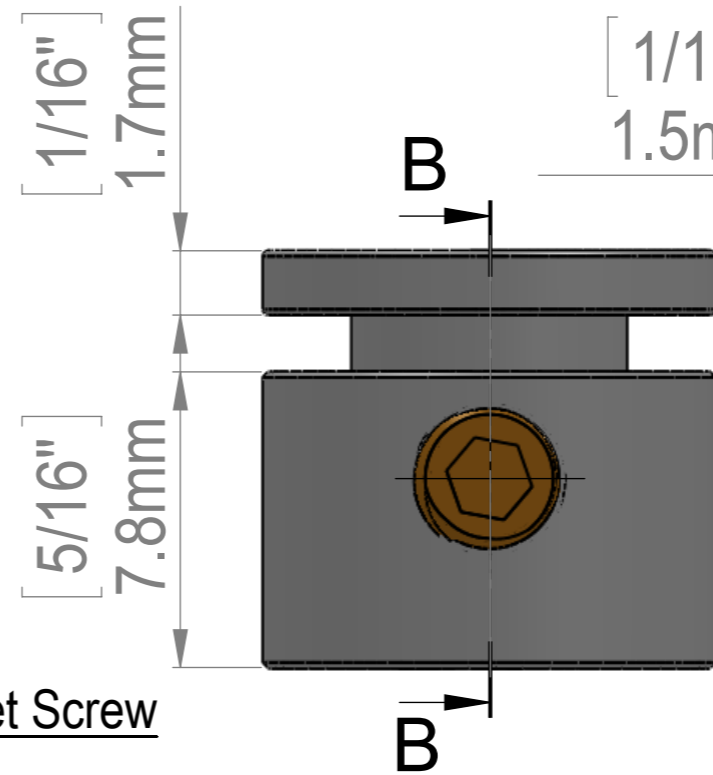
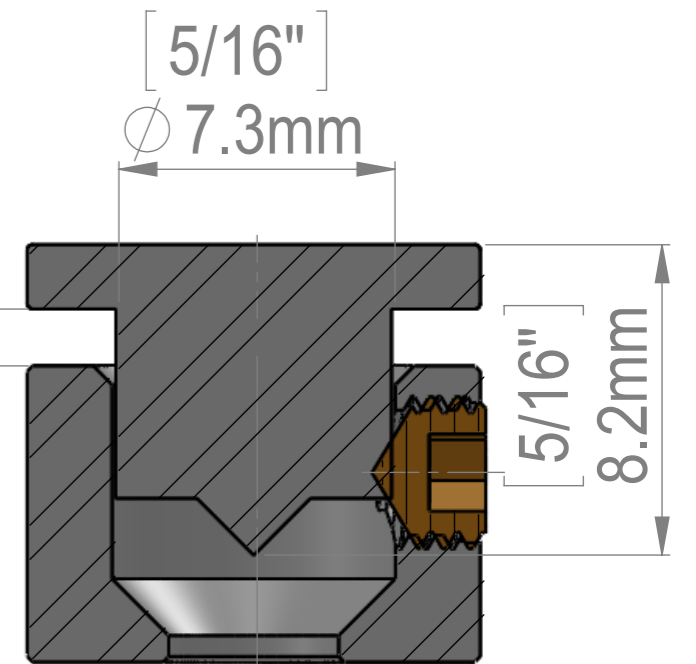


M4x3 Set Screw

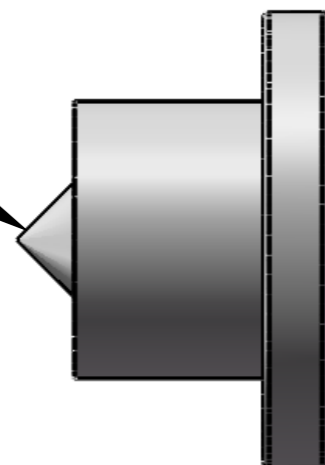


Maximum Gap
1/16" 1.5mm



SECTION B-B
SCALE 5 : 1

Bit tomMark material



ITEM NO.	PART NUMBER	DESCRIPTION	QTY.
1	GS050-050_Body-12x12		1
2	GS050-050_Head		1
3	Set_Screw_M4xL3mm		1

Title : GS050-050		Scale : 3:1	
		Customer:	
Material:		Finish	
N°programme laser		N°prog. Mécanum.	
		Qty :	Rep :
N° Plan : GS050-050			