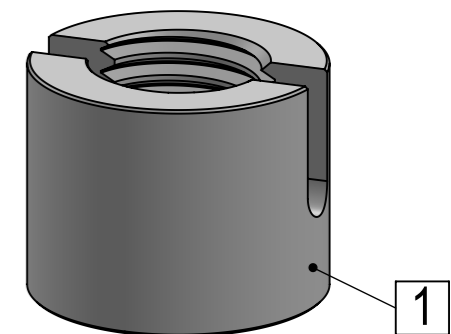
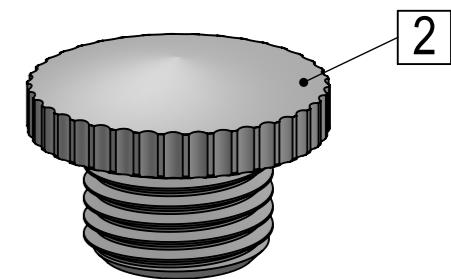
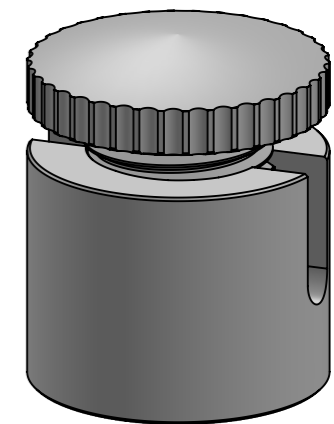
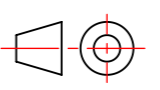


SECTION A-A
SCALE 4 : 1



ITEM NO.	PART NUMBER	DESCRIPTION	QTY.
1	GCS16-12_Body-16x12		1
2	GCS16_Head		1

Title : GCS16-12			Scale : 2.5:1	Customer:	
			Sizes : Letter Landscape	Qty :	Rep :
Material:		Finish	N°prog. Mécanum.		N° Plan : GCS16-12
N°programme laser					