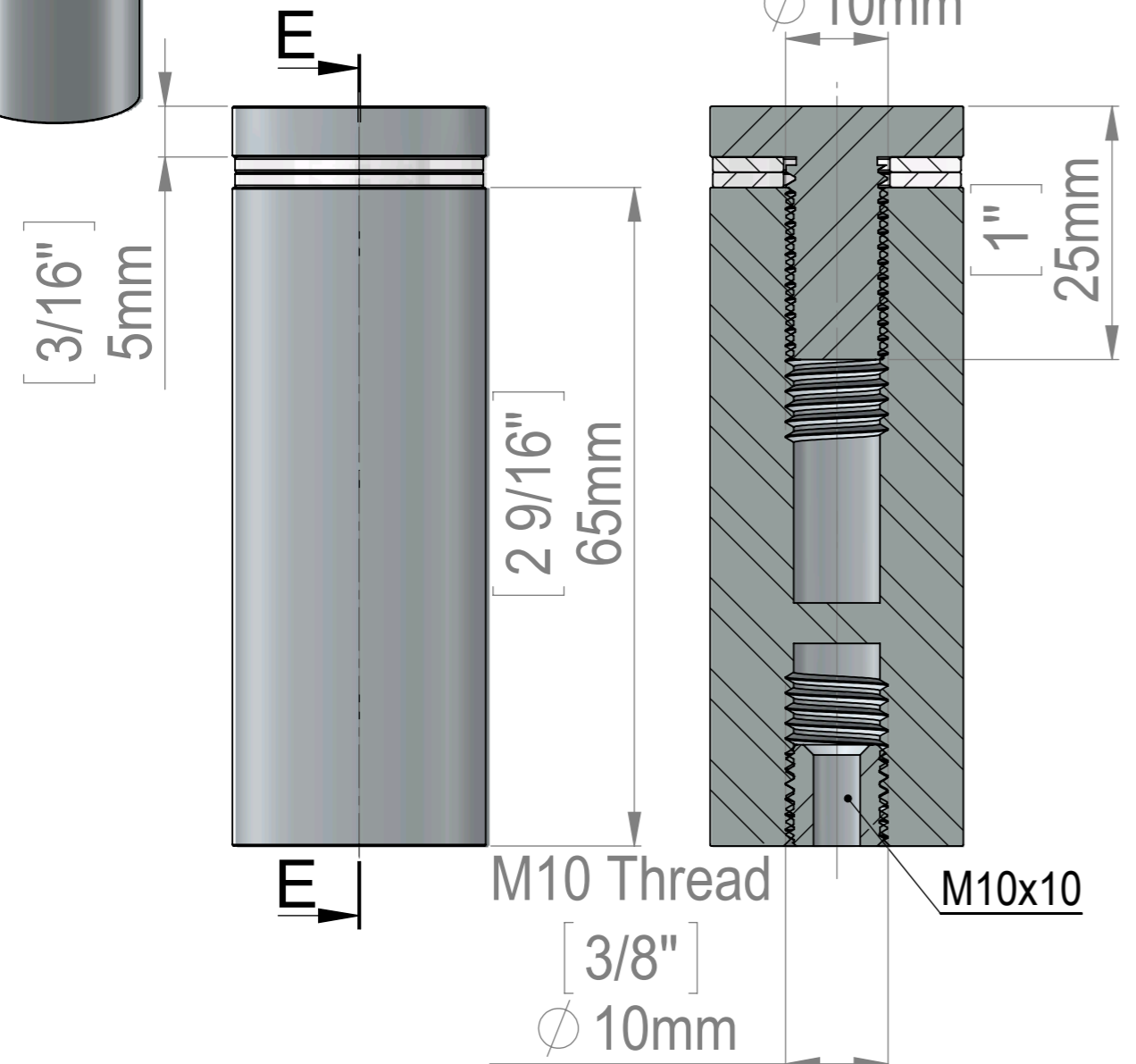
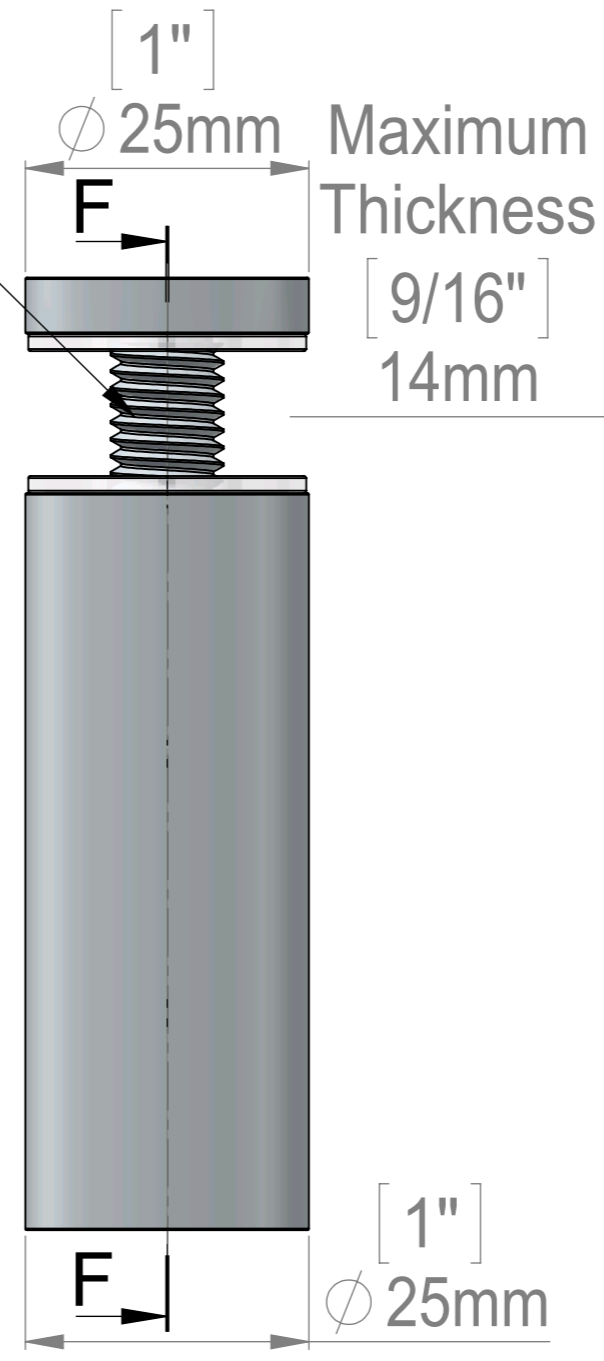




Attention  
Reverse Threaded  
For Tamper Proof Purposes



SECTION E-E  
SCALE 1.5 : 1



SECTION F-F  
SCALE 1.5 : 1



| ITEM NO. | PART NUMBER                        | DESCRIPTION | QTY. |
|----------|------------------------------------|-------------|------|
| 1        | FAH25_Washer                       |             | 2    |
| 2        | HM1122A(FHA25-25)-Reverse_Thread   |             | 1    |
| 3        | FAH25-70_Body-25x65-Reverse_Thread |             | 1    |
| 4        | M10x10mm-Screw                     |             | 1    |

|                   |  |                          |                    |       |
|-------------------|--|--------------------------|--------------------|-------|
| Title : FAH25-70  |  | Scale : 1:1              | Customer:          |       |
|                   |  | Sizes : Letter Landscape | Qty :              | Rep : |
| Material:         |  | Finish                   |                    |       |
| N°programme laser |  | N°prog. Mécanum.         | N° Plan : FAH25-70 |       |