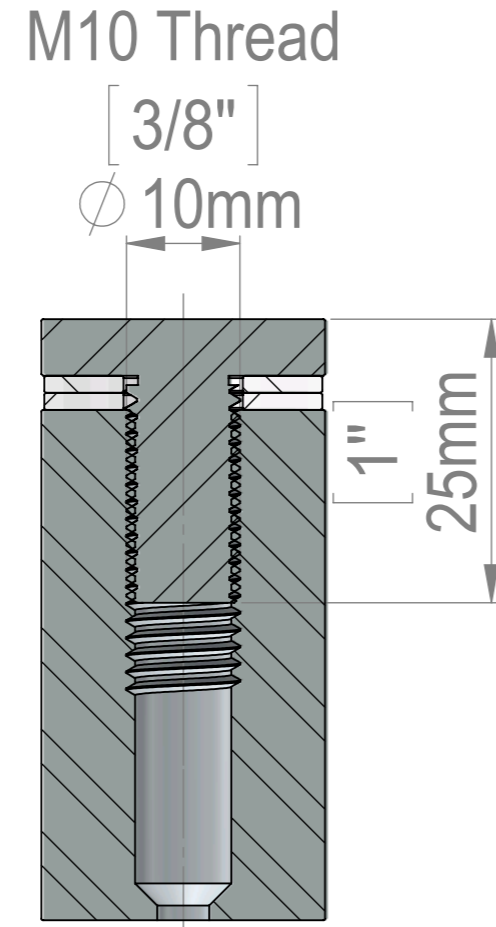
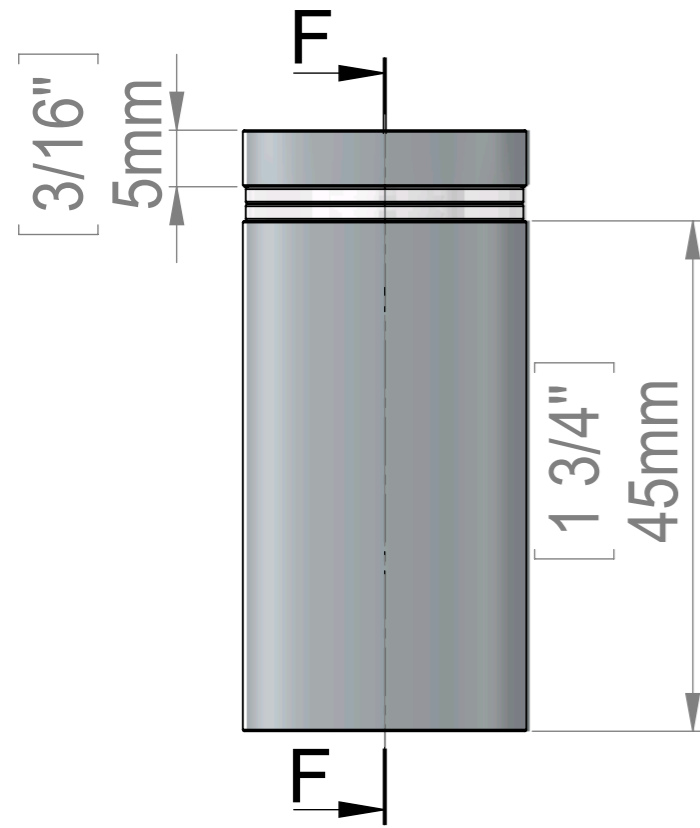
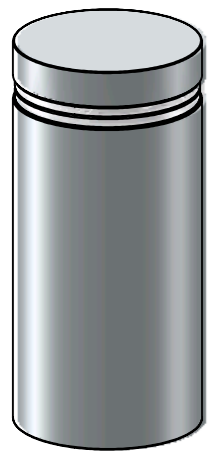
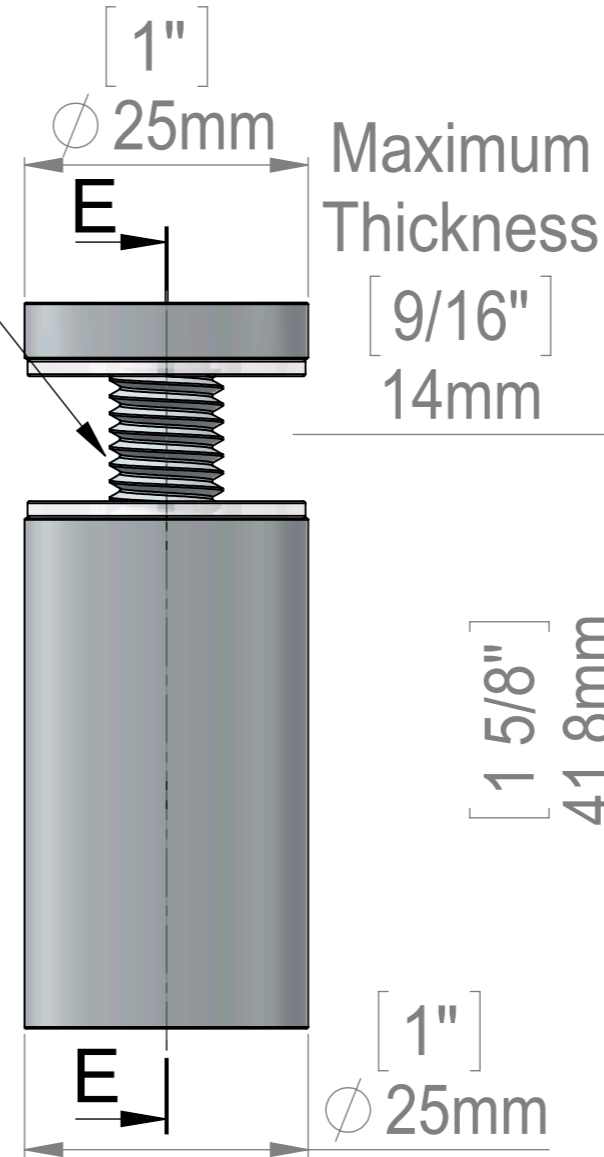


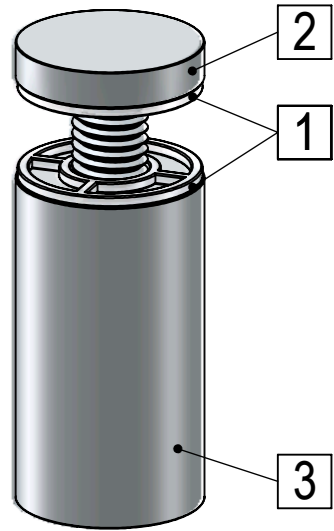
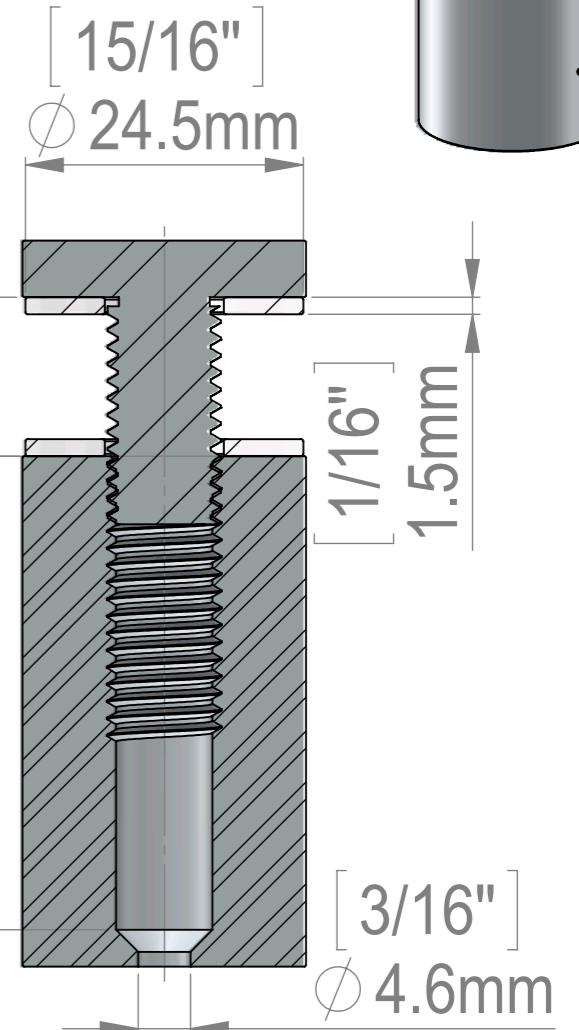
Attention  
Reverse Threaded  
For Tamper Proof Purposes



SECTION F-F  
SCALE 1.5 : 1



SECTION E-E  
SCALE 1.5 : 1



ITEM NO.	PART NUMBER	DESCRIPTION	QTY.
1	FAH25_Washer		2
2	HM1122A(FHA25-25)-Reverse_Thread		1
3	FAH25-50_Body-25x45-Reverse_Thread		1

Title : FAH25-50		Scale : 1:1	
		Customer:	
Material:		Finish	
N°programme laser		N°prog. Mécanum.	
		Qty :	Rep :
N° Plan : FAH25-50			