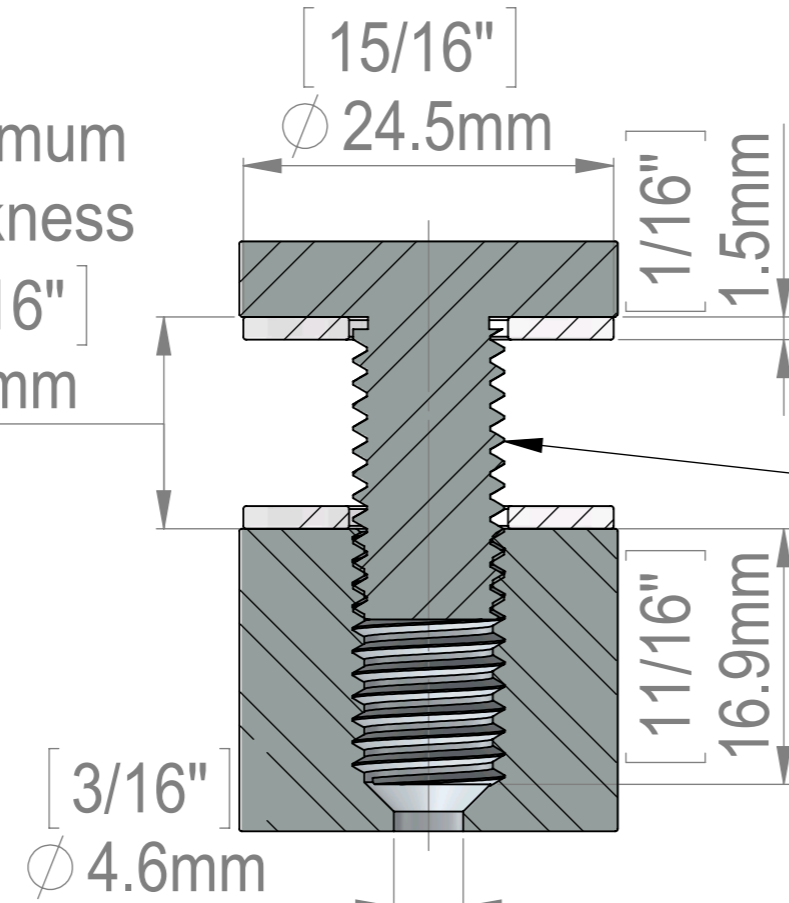
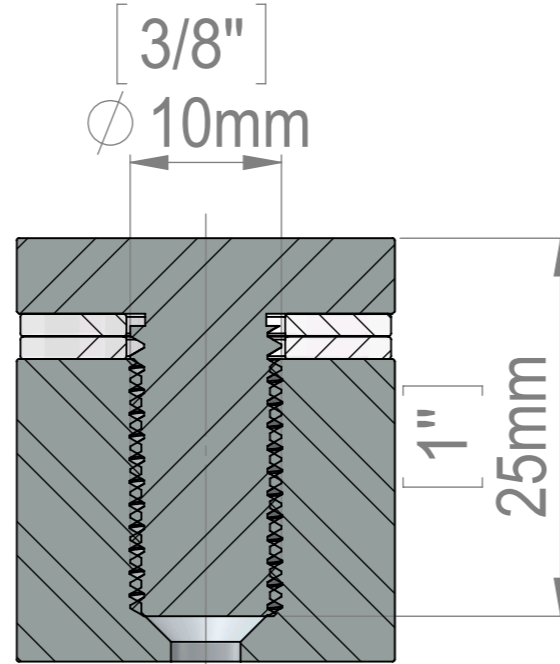
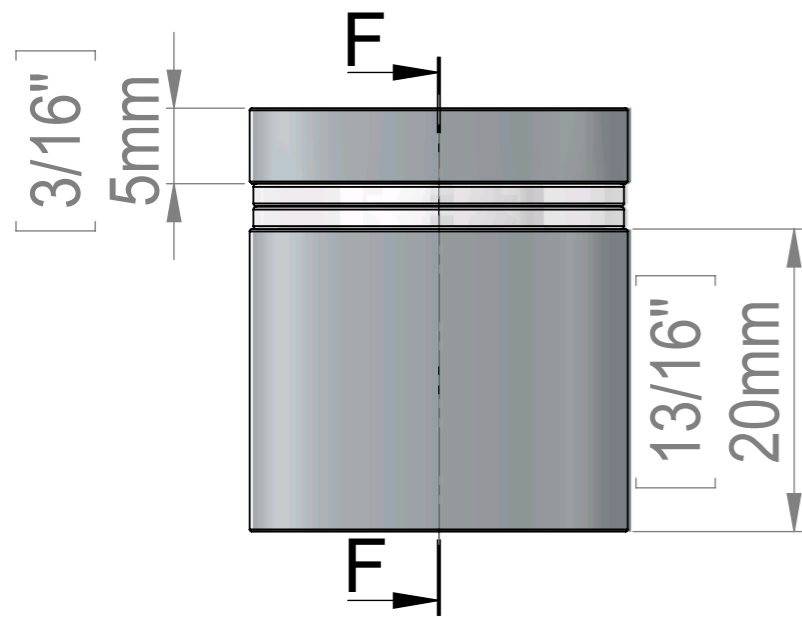
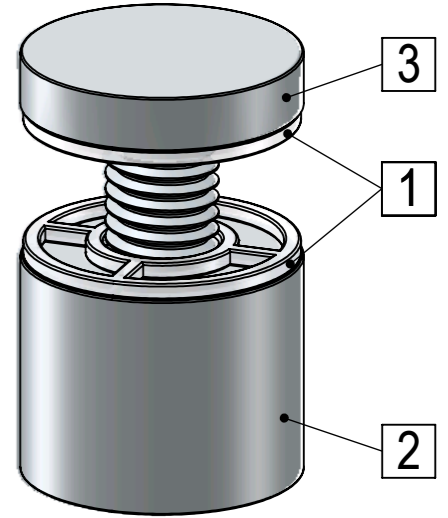


Maximum Thickness
9/16" 14mm



SECTION E-E
SCALE 2 : 1
M10 Thread

Attention
Reverse Threaded
For Tamper Proof Purposes



SECTION F-F
SCALE 2 : 1



ITEM NO.	PART NUMBER	DESCRIPTION	QTY.
1	FAH25_Washer		2
2	FAH25-25_Body-25x20-Reverse_Thread		1
3	HM1122A(FHA25-25)-Reverse_Thread		1

Title : FAH25-25		Scale : 1.5:1	Customer:	
		Sizes : Letter Landscape	Qty :	Rep :
Material:		Finish		
N°programme laser		N°prog. Mécanum.	N° Plan : FAH25-25	