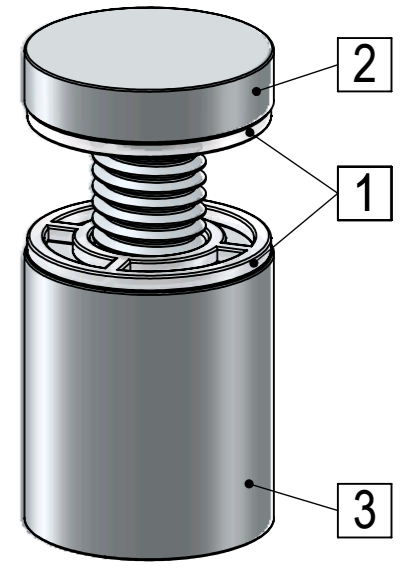


Attention
Reverse Threaded
For Tamper Proof Purposes



ITEM NO.	PART NUMBER	DESCRIPTION	QTY.
1	FAH22_Washer		2
2	HM1117A(FHA22-25)-Reverse_Thread		1
3	FAH22-30_Body-22x25-Reverse_Thread		1

Title : FAH22-30			Scale : 1.5:1	Mbs R&D	
			Sizes : Letter Landscape	Customer:	
		Material:	Finish	Qty :	Rep :
		N°programme laser	N°prog. Mécanum.	N° Plan : FAH22-30	