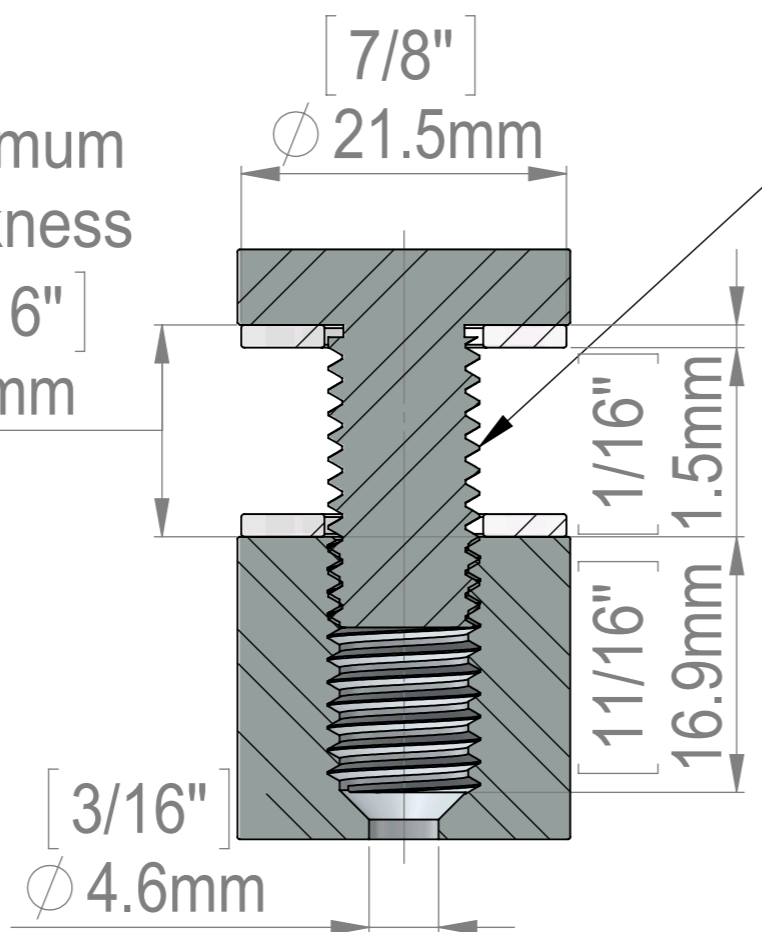
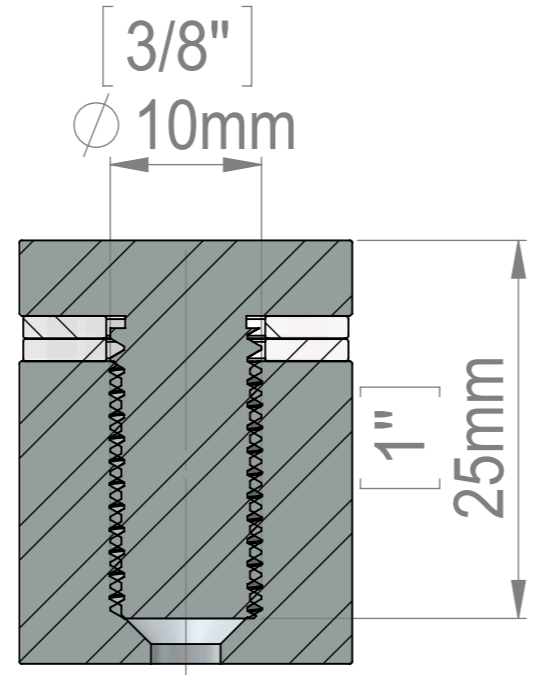
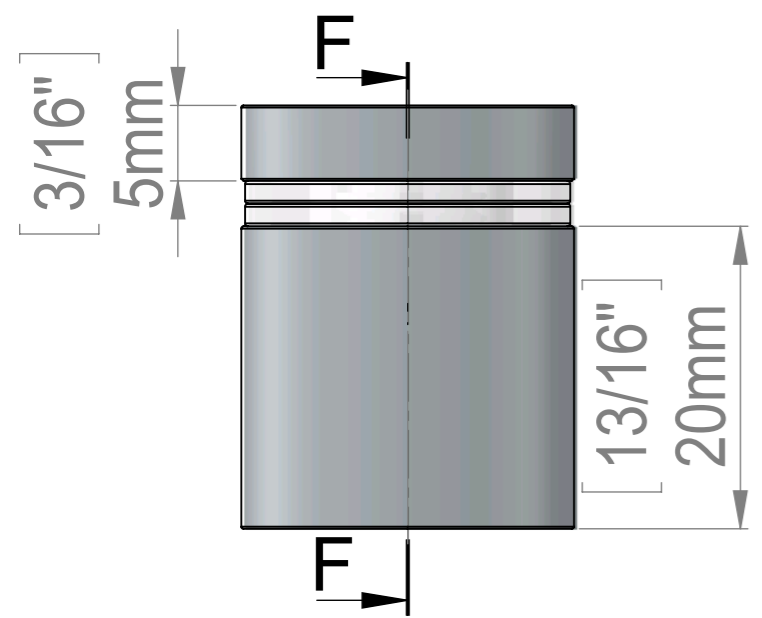
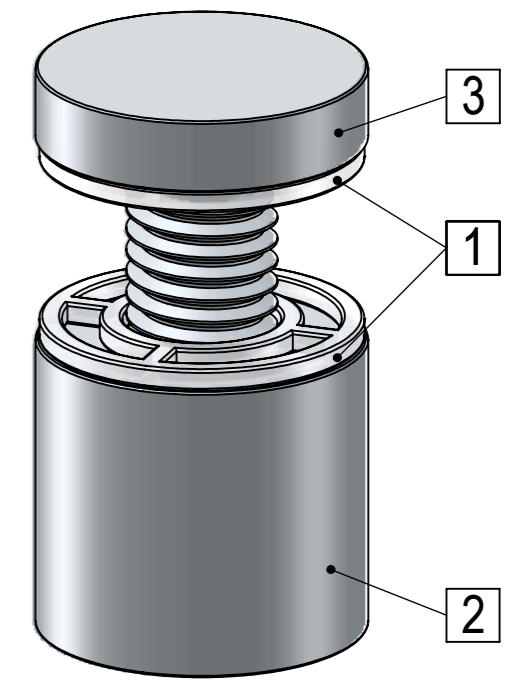


Maximum Thickness  
 $9/16"$   
 14mm



Attention  
 Reverse Threaded  
 For Tamper Proof Purposes



ITEM NO.	PART NUMBER	DESCRIPTION	QTY.
1	FAH22_Washer		2
2	FAH22-25_Body-22x20-Reverse_Thread		1
3	HM1117A(FHA22-25)-Reverse_Thread		1

Title : FAH22-25			Scale : 2:1	Customer:	
			Sizes : Letter Landscape	Qty :	Rep :
Material:		Finish			
N°programme laser		N°prog. Mécanum.		N° Plan : FAH22-25	