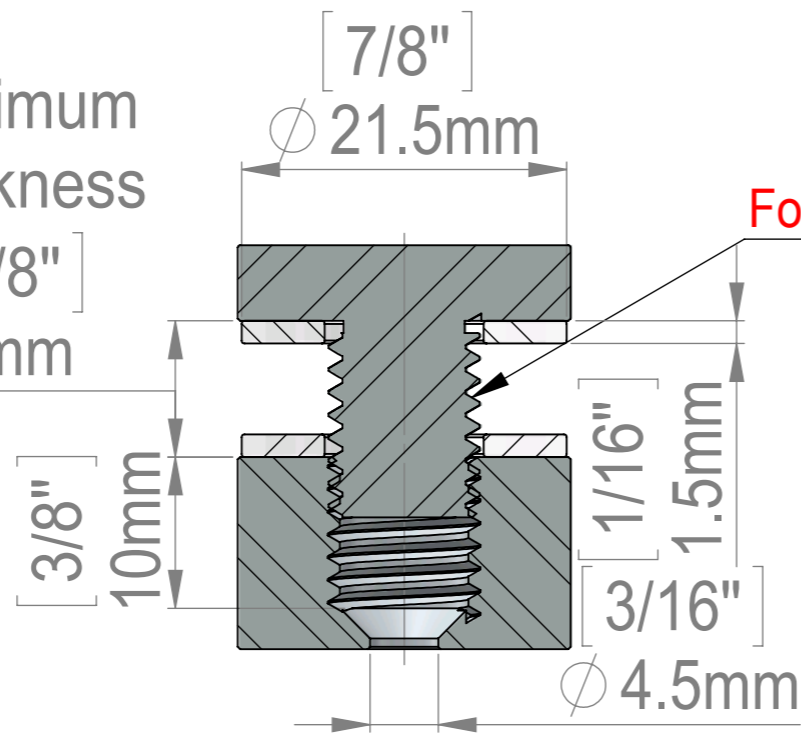


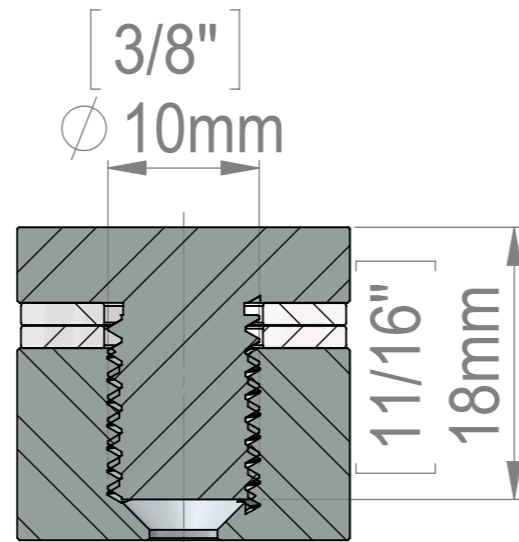
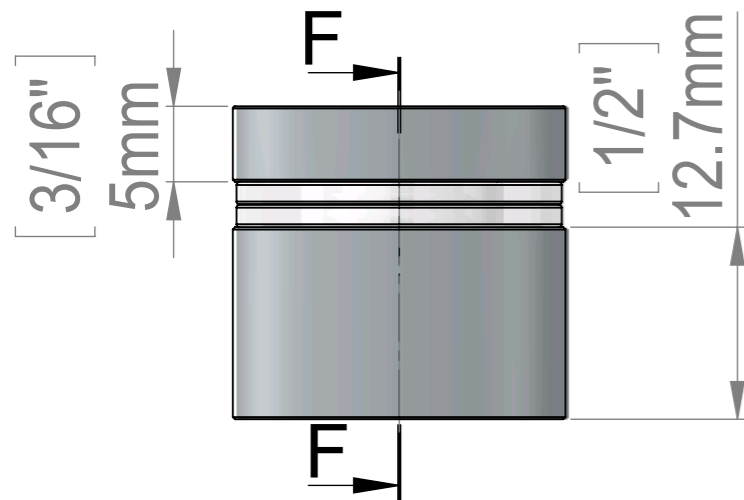
Maximum Thickness  
 [3/8"]  
 9mm



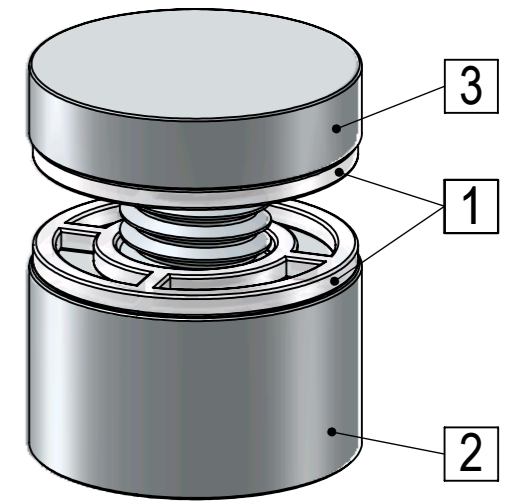
Attention  
 Reverse Threaded  
 For Tamper Proof Purposes

SECTION E-E  
 SCALE 2 : 1

M10 Thread



SECTION F-F  
 SCALE 2 : 1



ITEM NO.	PART NUMBER	DESCRIPTION	QTY.
1	FAH22_Washer		2
2	FAH22-12_Body-22x12-Reverse_Thread		1
3	HM1116A(FHA22-12)-Reverse_Thread		1

Title : FAH22-12			Scale : 2:1	Customer:	
			Sizes : Letter Landscape	Qty :	Rep :
Material:		Finish	N° Plan : FAH22-12		
N°programme laser		N°prog. Mécanum.			