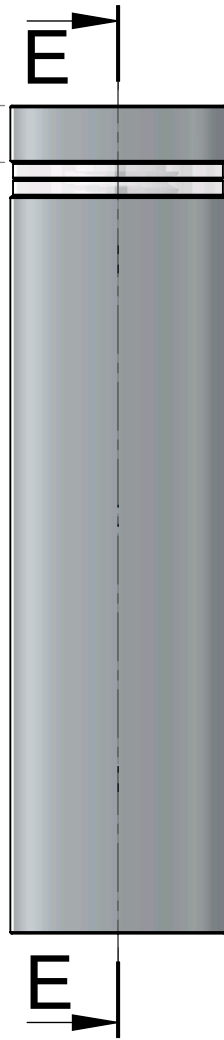




[3/16"]
5mm



[2 9/16"]
65mm

M10x10

M10 Thread

[3/8"]
Ø 10mm

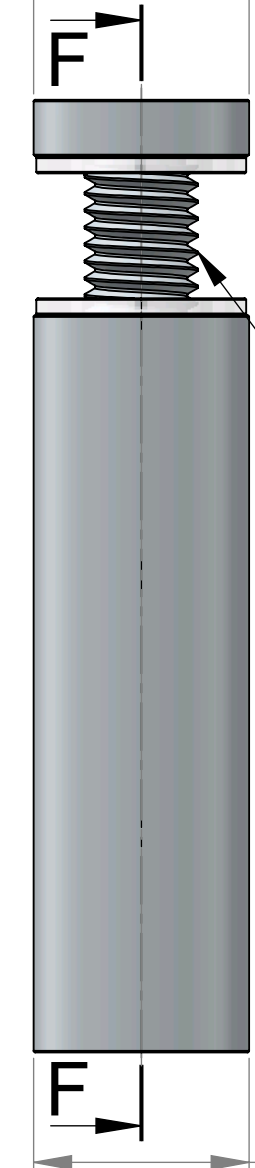
[1"]
25mm

M10 Thread

[3/8"]
Ø 10mm

SECTION E-E
SCALE 1.5 : 1

[3/4"]
Ø 19mm

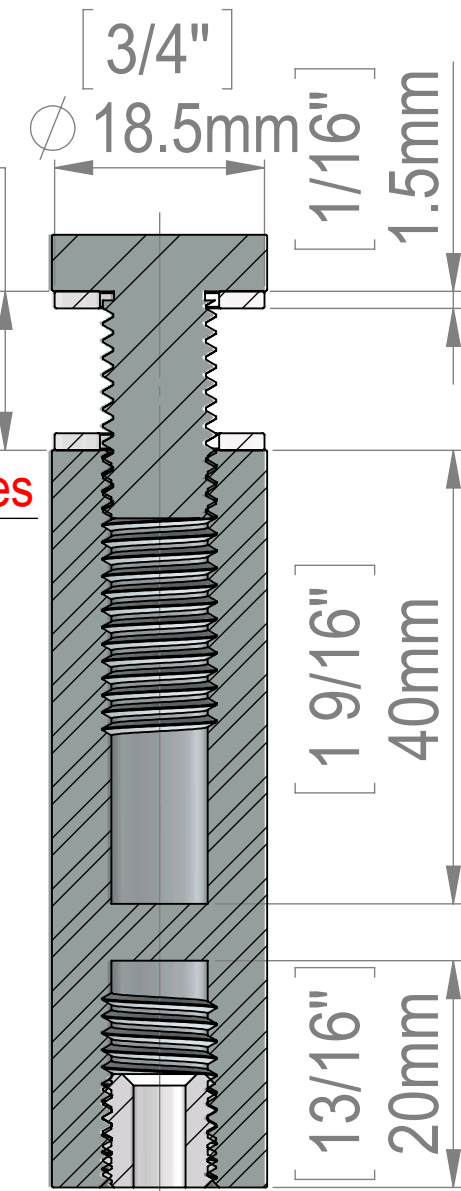


[3/4"]
Ø 19mm

Maximum
Thickness

[9/16"]
14mm

Attention
Reverse Threaded
For Tamper Proof Purposes



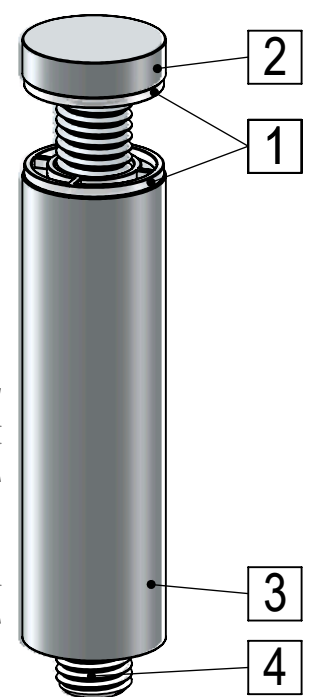
[3/4"]
Ø 18.5mm

[1/16"]
1.5mm

[1 9/16"]
40mm

[13/16"]
20mm

SECTION F-F
SCALE 1.5 : 1



ITEM NO.	PART NUMBER	DESCRIPTION	QTY.
1	FAH19_Washer		2
2	HM1112A(FHA19-25)-Reverse_Thread		1
3	FAH19-70_Body-19x65-Reverse_Thread		1
4	M10x10mm-Screw		1

Title : FAH19-70			Scale : 1:1	Customer:	
			Sizes : Letter Landscape	Qty :	Rep :
Material:		Finish		N° Plan : FAH19-70	
N°programme laser		N°prog. Mécanum.			