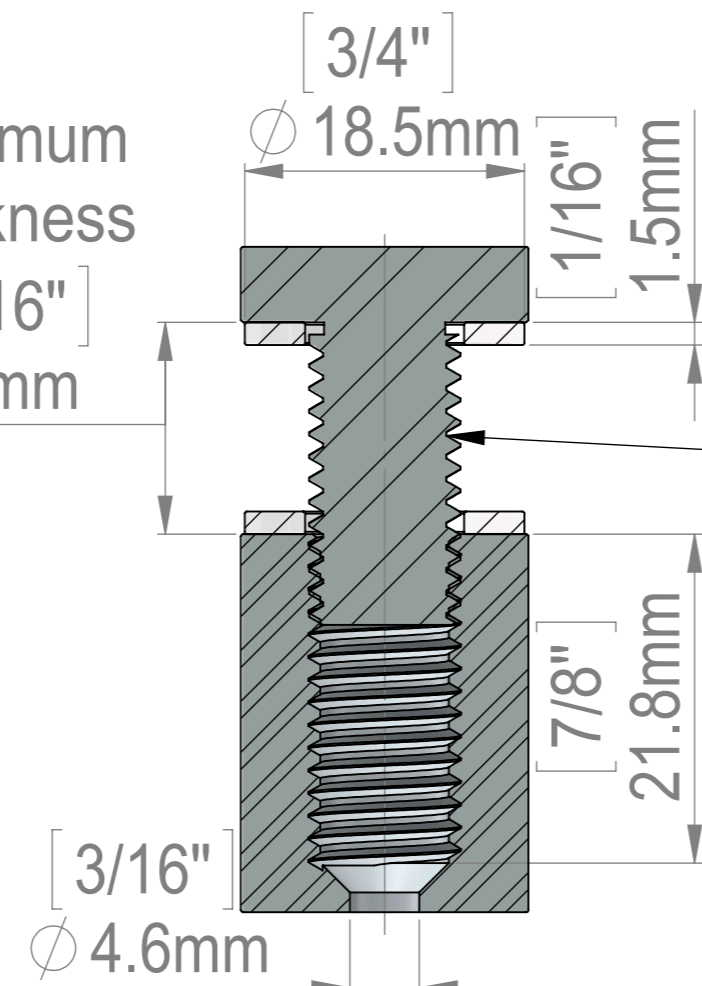
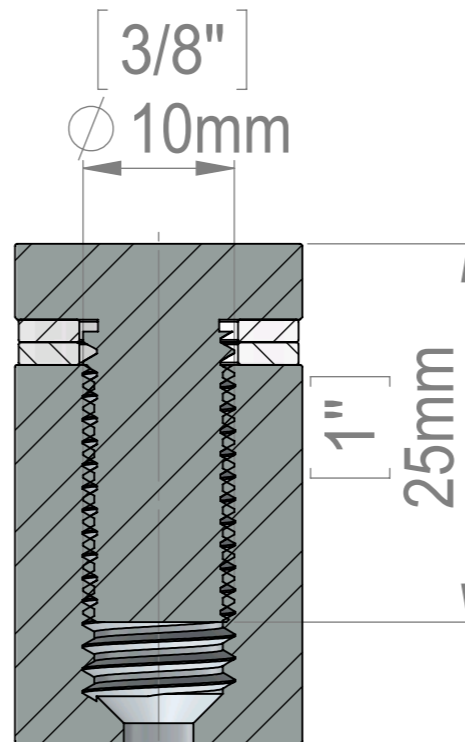
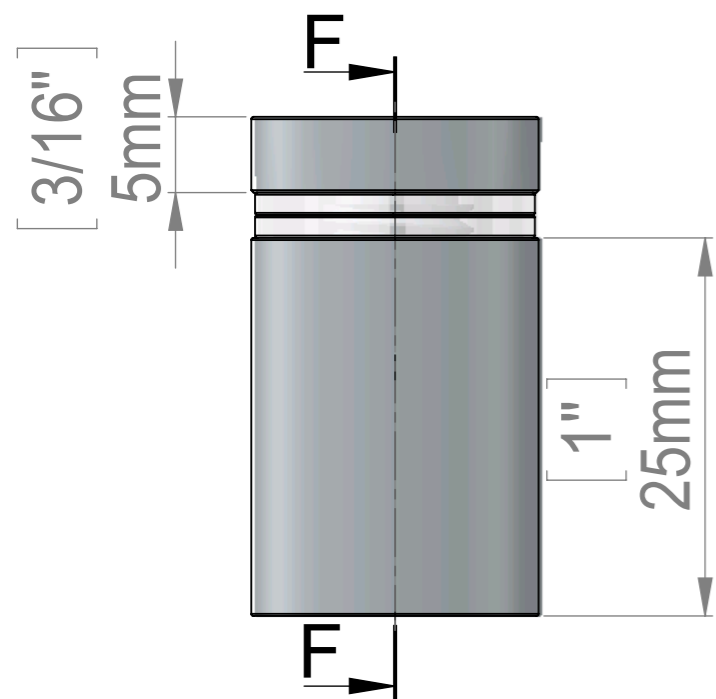
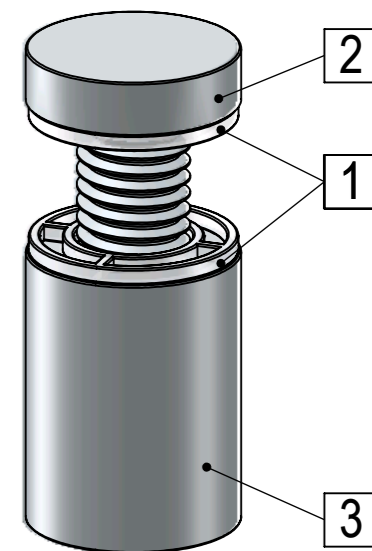


Maximum Thickness
[9/16"]
14mm

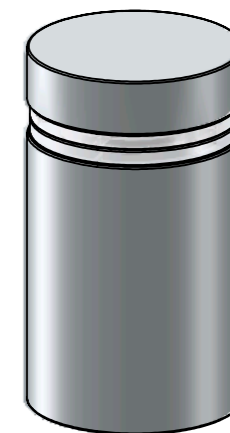


SECTION E-E
SCALE 2 : 1
M10 Thread

Attention
Reverse Threaded
For Tamper Proof Purposes



SECTION F-F
SCALE 2 : 1



ITEM NO.	PART NUMBER	DESCRIPTION	QTY.
1	FAH19_Washer		2
2	HM1112A(FHA19-25)-Reverse_Thread		1
3	FAH19-30_Body-19x25-Reverse_Thread		1

Title : FAH19-30		Scale : 1.5:1	Customer:	
		Sizes : Letter Landscape	Qty :	Rep :
Material:		Finish		
N°programme laser		N°prog. Mécanum.	N° Plan : FAH19-30	