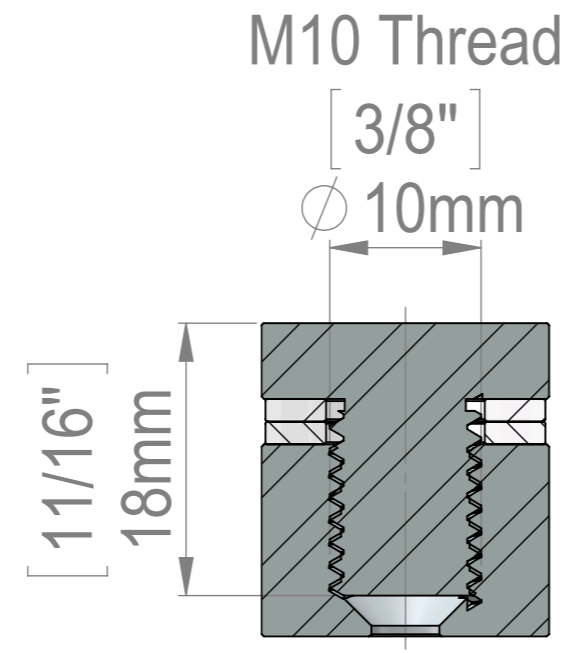
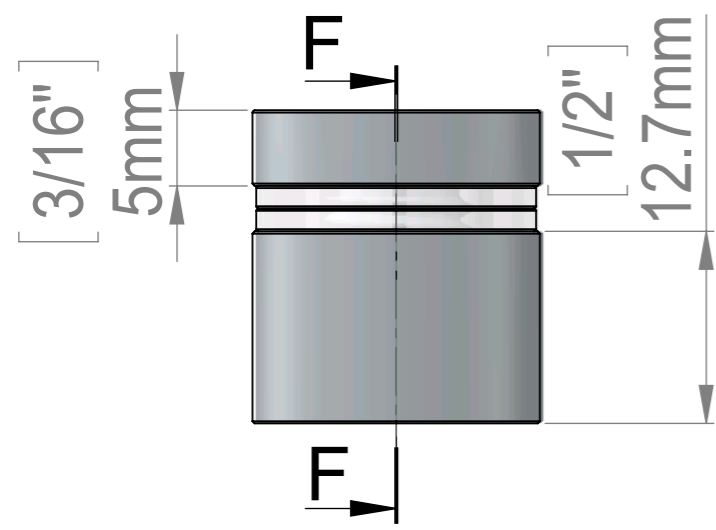
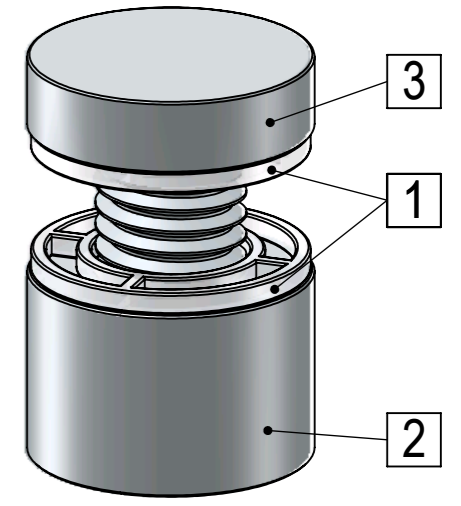


Attention
Reverse Threaded
For Tamper Proof Perposes



ITEM NO.	PART NUMBER	DESCRIPTION	QTY.
1	FAH19_Washer		2
2	FAH19-12_Body-19x12-Reverse_Thread		1
3	HM1111A(FHA19-12)-Reverse_Thread		1

Title : FAH19-12			Scale : 2:1	Customer:	
			Sizes : Letter Landscape	Qty :	Rep :
Material:		Finish	N° Plan : FAH19-12		
N°programme laser		N°prog. Mécanum.			