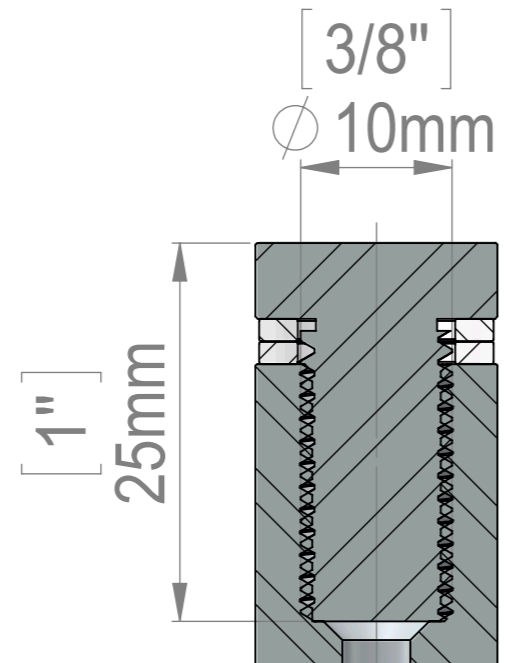
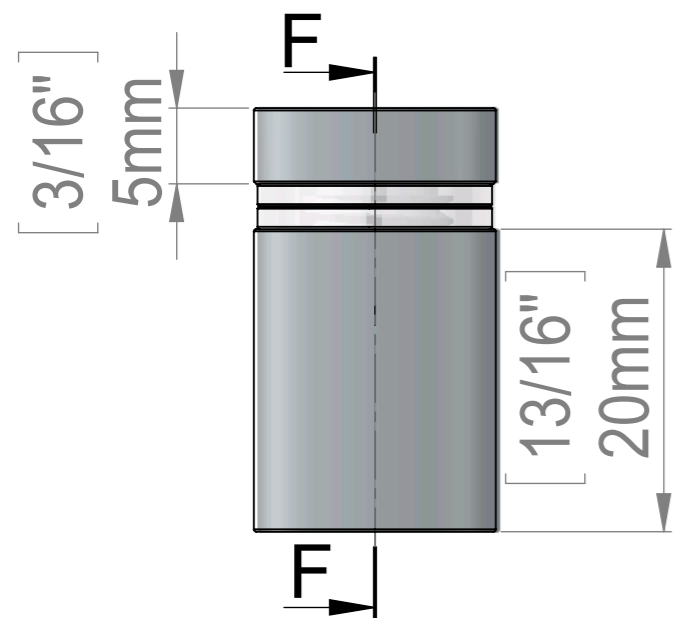


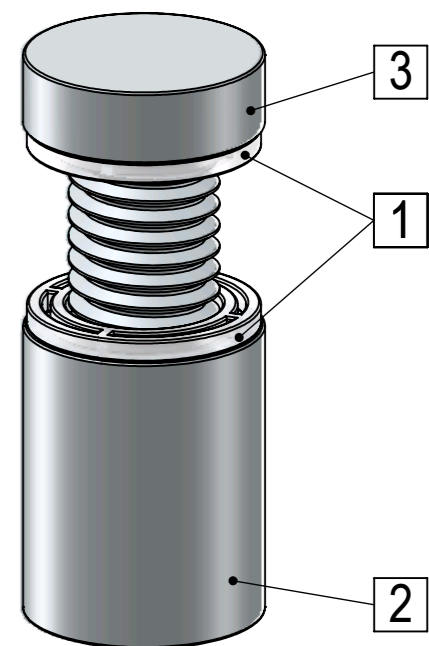
Maximum Thickness
 $9/16"$
 14mm

Attention
 Reverse Threaded
 For Tamper Proof Purposes

SECTION E-E
 SCALE 2 : 1
 M10 Thread



SECTION F-F
 SCALE 2 : 1



ITEM NO.	PART NUMBER	DESCRIPTION	QTY.
1	FAH16_Washer		2
2	FAH16-25_Body-16x20-Reverse_Thread		1
3	HM1107A(FHA16-25)-Reverse_Thread		1

Title : FAH16-25			Scale : 2:1	Customer:	
			Sizes : Letter Landscape	Qty :	Rep :
Material:		Finish	N° Plan : FAH16-25		
N°programme laser		N°prog. Mécanum.			