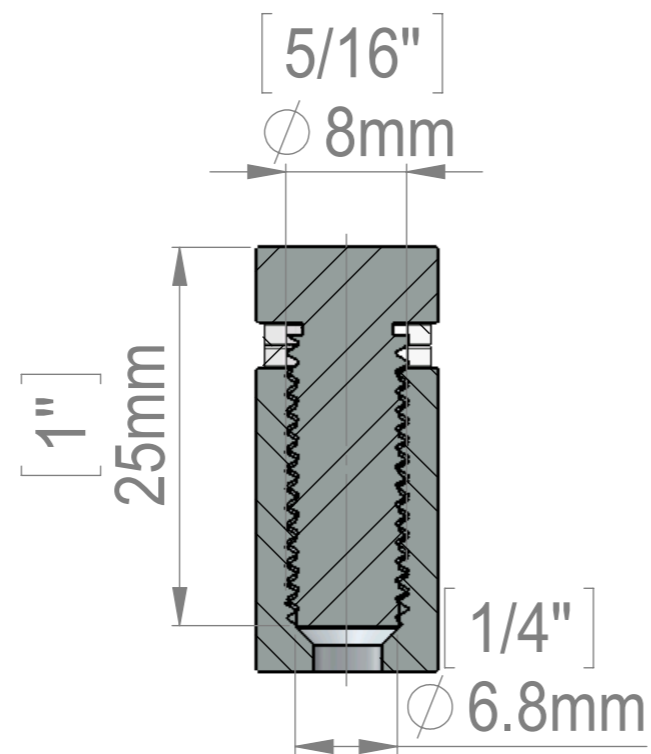
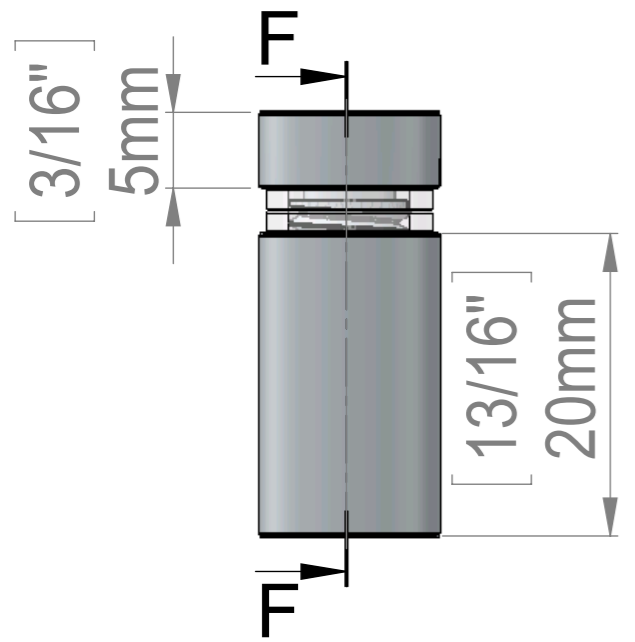
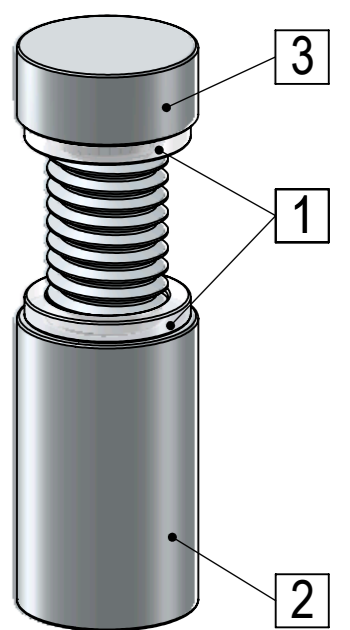


Attention
Reverse Threaded
For Tamper Proof Perposes



ITEM NO.	PART NUMBER	DESCRIPTION	QTY.
1	FAH12_Washer		2
2	FAH12-25_Body-12x20-Reverse_Thread		1
3	HM1102A(FHA12-25)-Reverse_Thread		1

Title : FAH12-25			Scale : 2:1	Customer:	
			Sizes : Letter Landscape	Qty :	Rep :
Material:		Finish			
N°programme laser		N°prog. Mécanum.		N° Plan : FAH12-25	