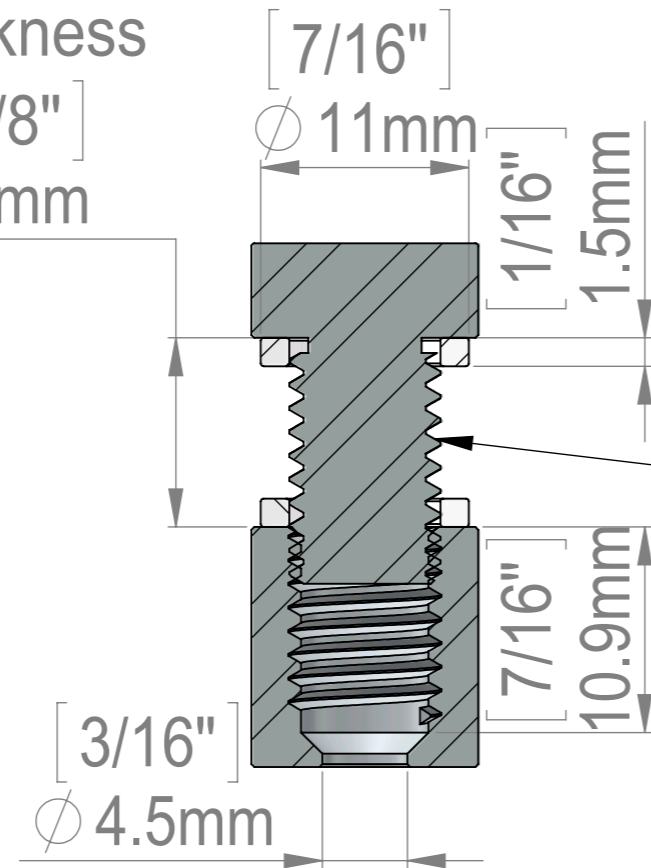
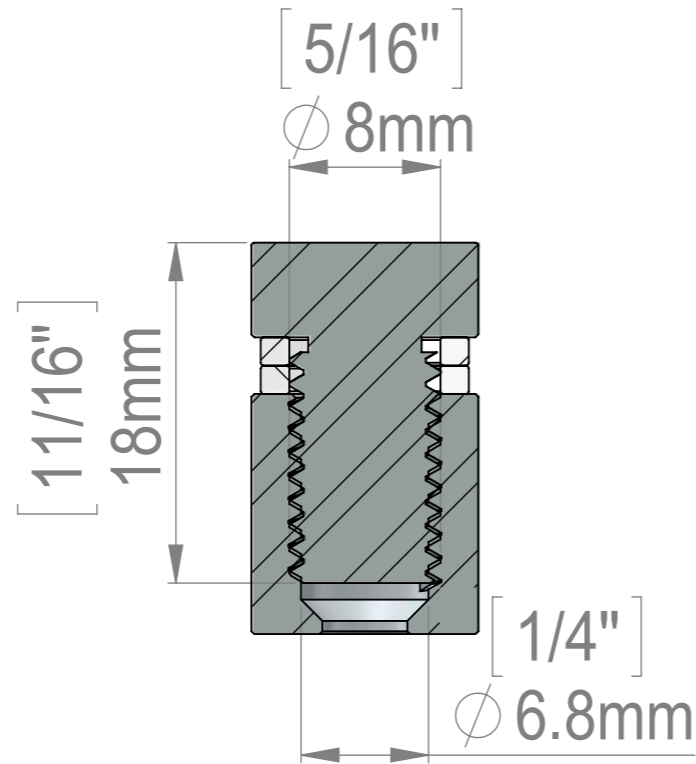
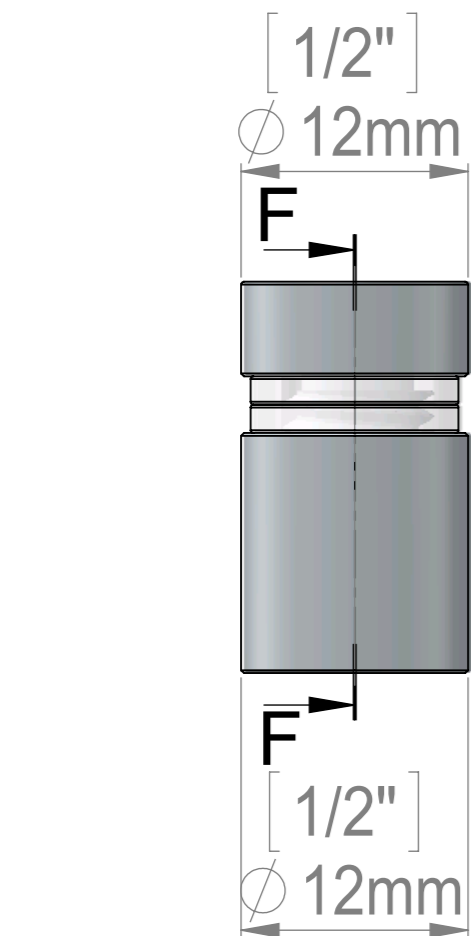
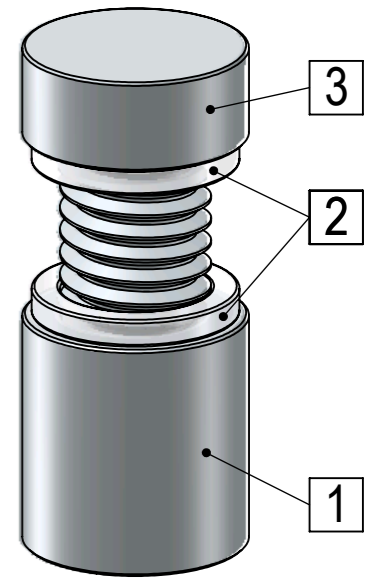


Maximum Thickness  
 [3/8"]  
 10mm

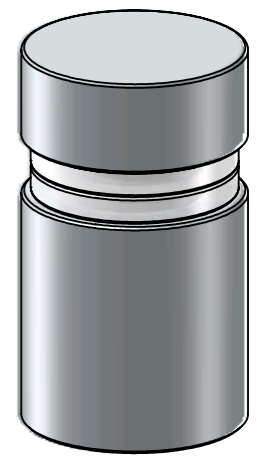


SECTION E-E  
 SCALE 2.5 : 1  
 M8 Thread

Attention  
 Reverse Threaded  
 For Tamper Proof Purposes



SECTION F-F  
 SCALE 2.5 : 1



ITEM NO.	PART NUMBER	DESCRIPTION	QTY.
1	FAH12-12_Body-12x12-Reverse_Thread		1
2	FAH12_Washer		2
3	HM1101A(FHA12-12)-Reverse_Thread		1

Title : FAH12-12		Scale : 2.5:1	Customer:	
		Sizes : Letter Landscape	Qty :	Rep :
Material:		Finish	N° Plan : FAH12-12	
N°programme laser		N°prog. Mécanum.		