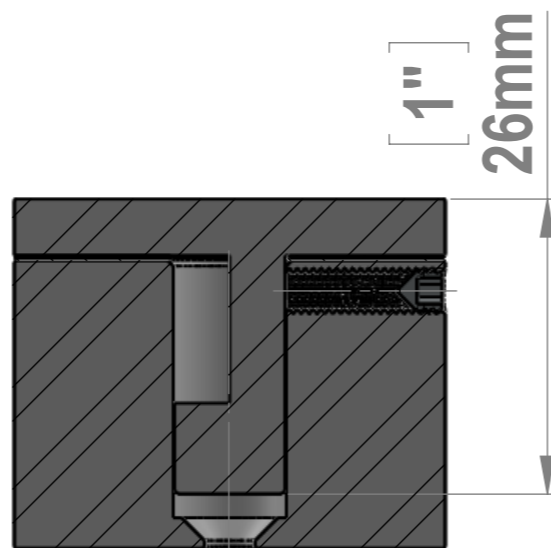
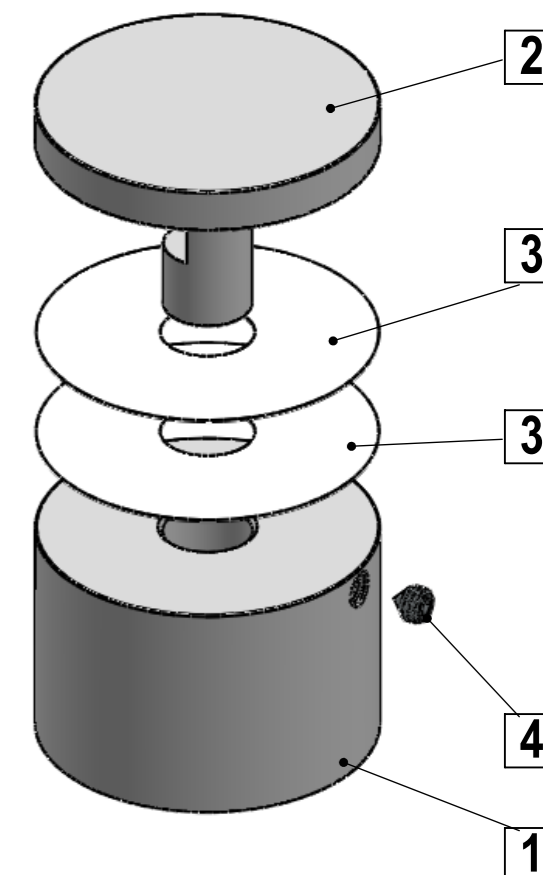
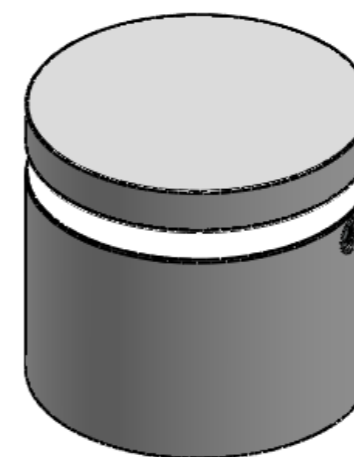


SECTION A-A  
SCALE 1.5 : 1



SECTION B-B  
SCALE 1.5 : 1



ITEM NO.	PART NUMBER	DESCRIPTION	QTY.
1	EG150-100_Body		1
2	EG150-100_Head		1
3	EG150_Nylon-Washer		2
4	Set_Screw_M4x4mm		1

Title : EG150-100			Scale : 1.2:1	
			Sizes : Letter Landscape	
Material:		Finish		Customer:
N°programme laser		N°prog. Mécanum.		Qty :      Rep :
				N° Plan : EG150-100