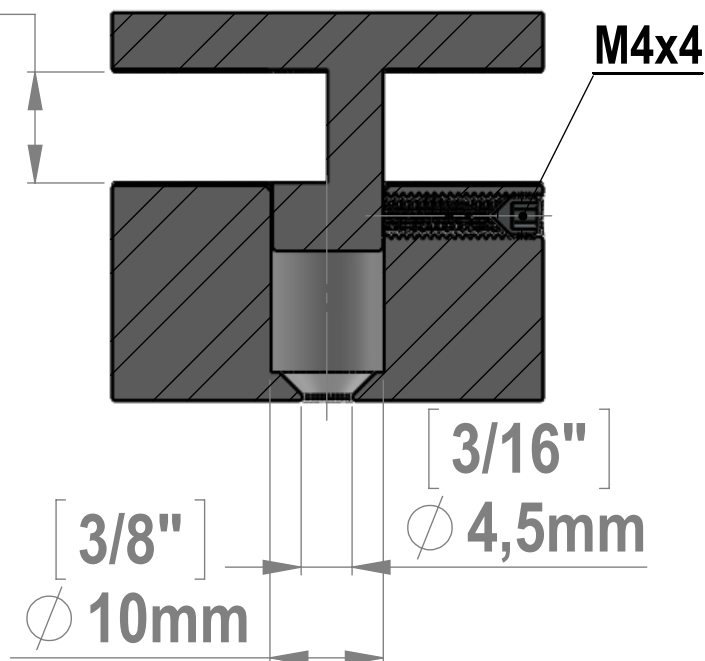
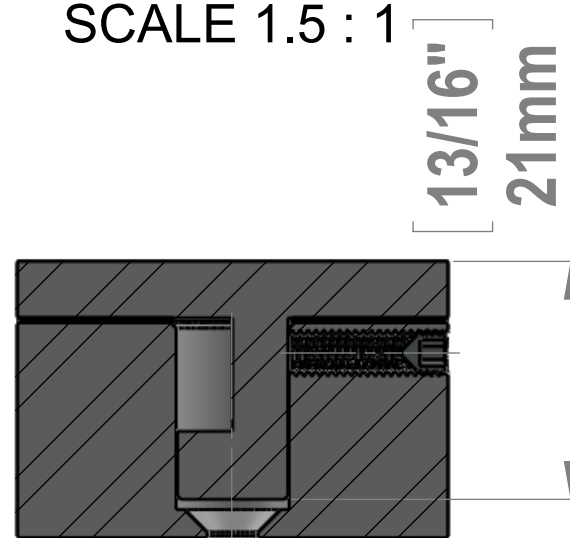
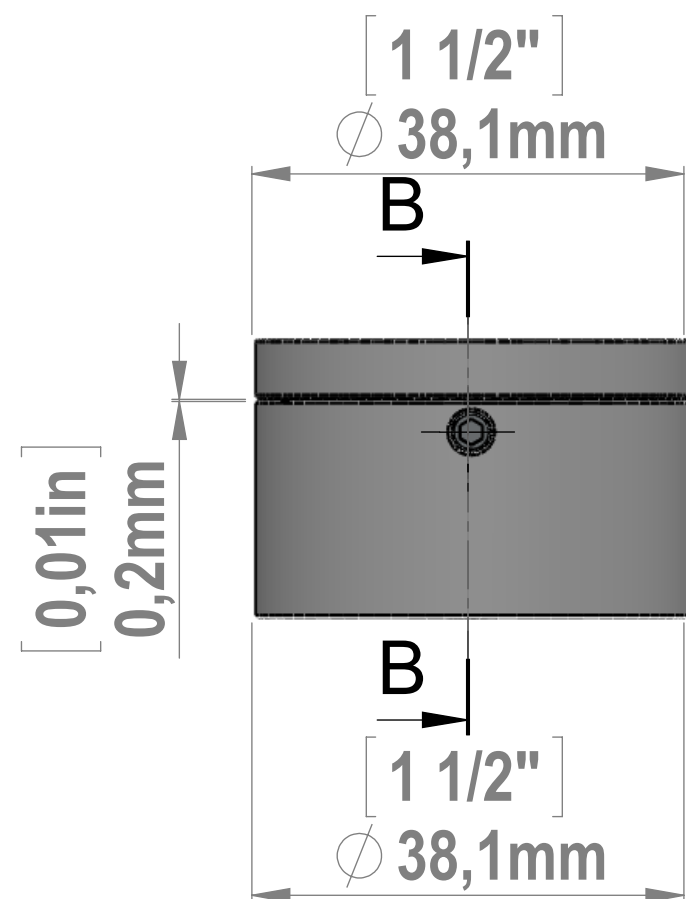


Maximum Thickness

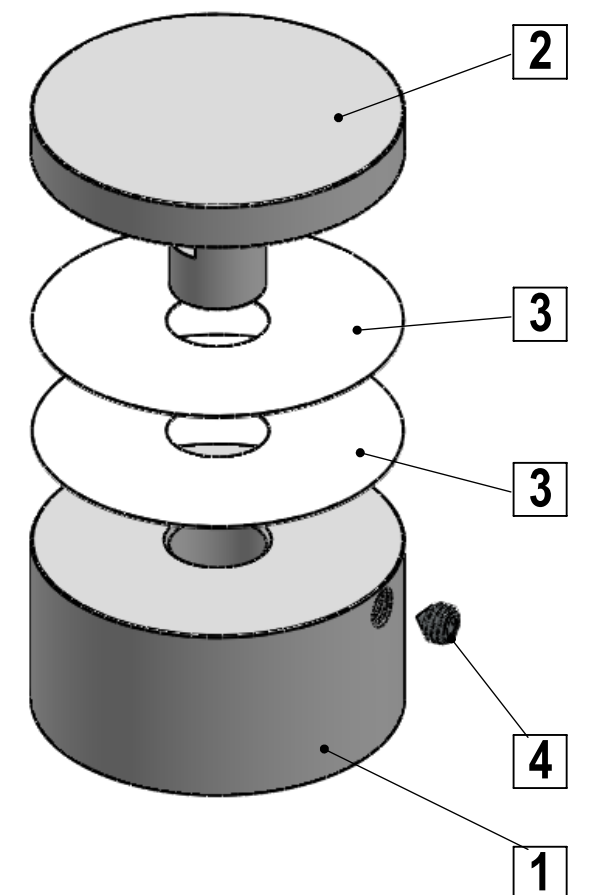
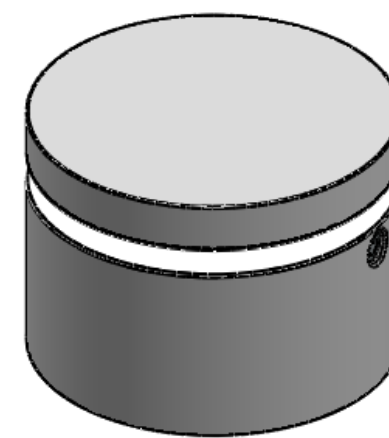
$\left[ \frac{3}{8}'' \right]$   
 9,8mm



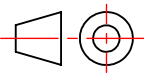
SECTION A-A  
SCALE 1.5 : 1



SECTION B-B  
SCALE 1.5 : 1



| ITEM NO. | PART NUMBER        | DESCRIPTION | QTY. |
|----------|--------------------|-------------|------|
| 1        | EG150-075_Body     |             | 1    |
| 2        | E150-075_Head      |             | 1    |
| 3        | EG150_Nylon-Washer |             | 2    |
| 4        | Set_Screw_M4x4mm   |             | 1    |

|                   |  |   |                          |                     |
|-------------------|--|---|--------------------------|---------------------|
| Title : EG150-075 |  |  | Scale : 1.3:1            |                     |
|                   |  |   | Sizes : Letter Landscape |                     |
| Material:         |  | Finish  |                          | Customer:           |
| N°programme laser |  | N°prog. Mécanum.  |                          | Qty :      Rep :    |
|                   |  |   |                          | N° Plan : EG150-075 |