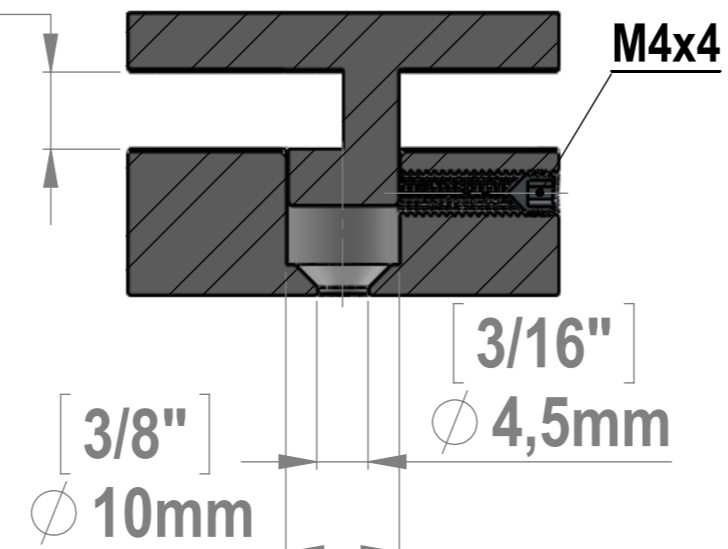


Maximum Thickness

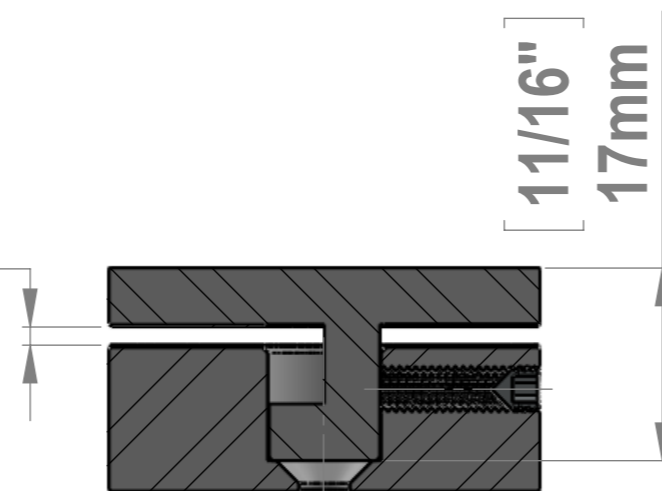
$\left[\frac{1}{4} \right]$
6,8mm



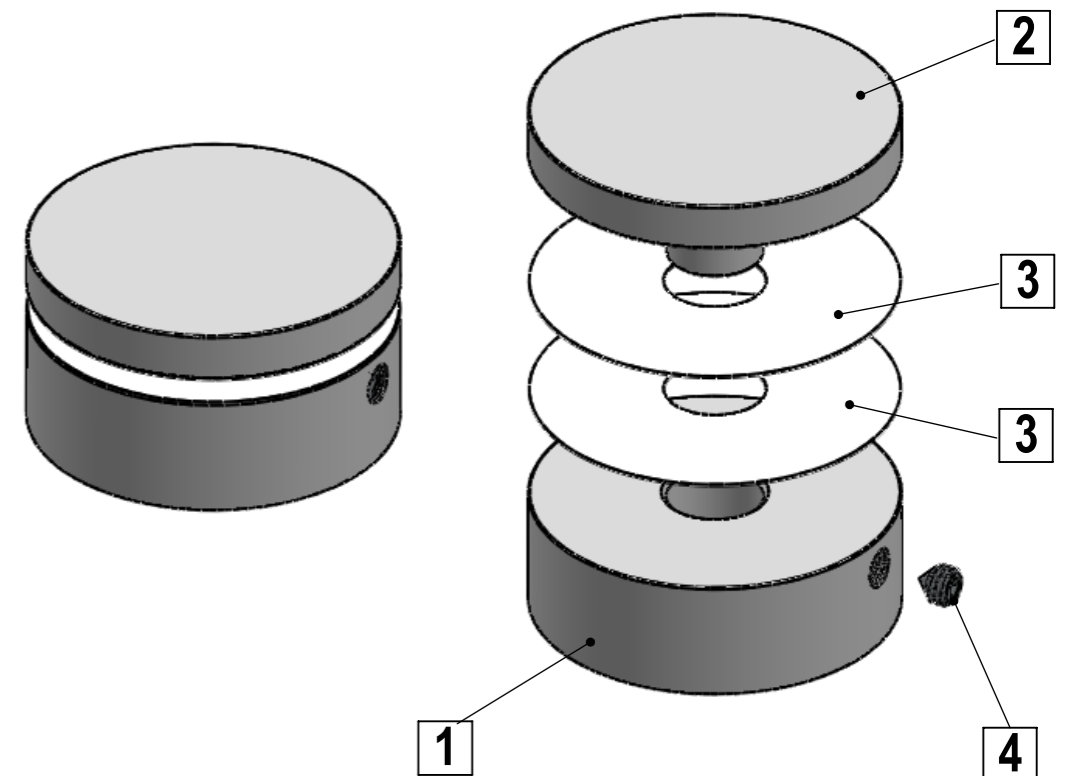
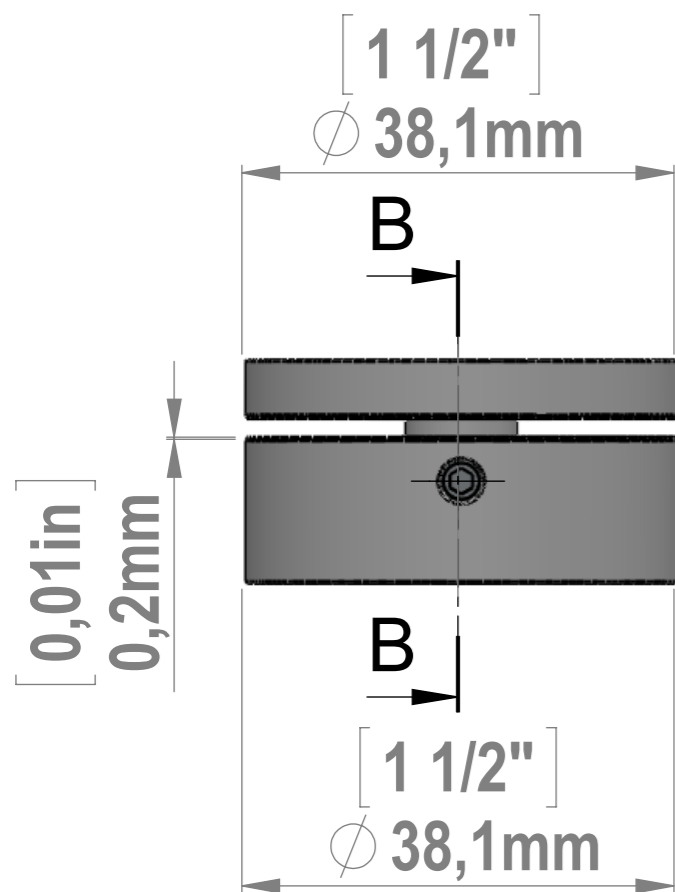
SECTION A-A
SCALE 1.5 : 1

Minimum Thickness

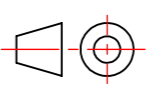
$\left[\frac{1}{16} \right]$
1,6mm



SECTION B-B
SCALE 1.5 : 1



ITEM NO.	PART NUMBER	DESCRIPTION	QTY.
1	EG150-050_Body		1
2	EG150-050_Head		1
3	EG150_Nylon-Washer		2
4	Set_Screw_M4x4mm		1

Title : EG150-050			Scale : 1.3:1	Customer:	
			Sizes : Letter Landscape	Qty :	Rep :
Material:		Finish			
N°programme laser		N°prog. Mécanum.		N° Plan : EG150-050	