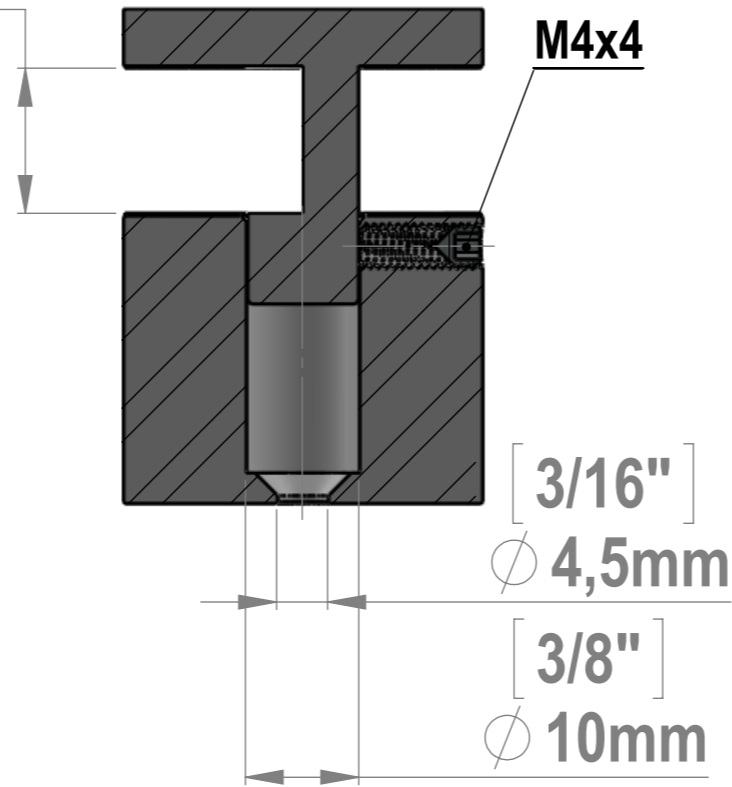
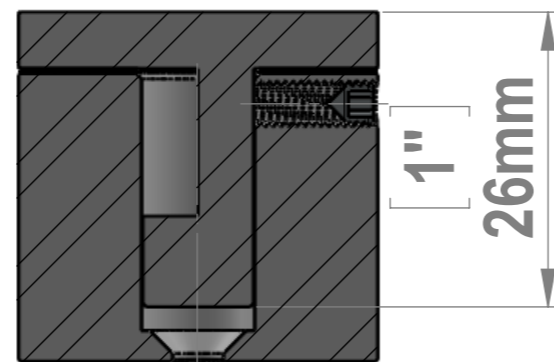


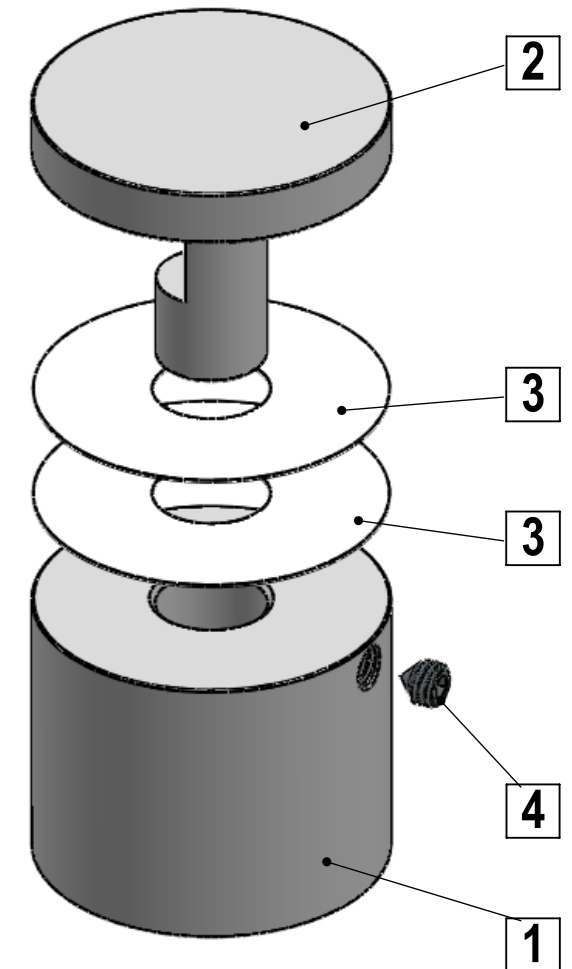
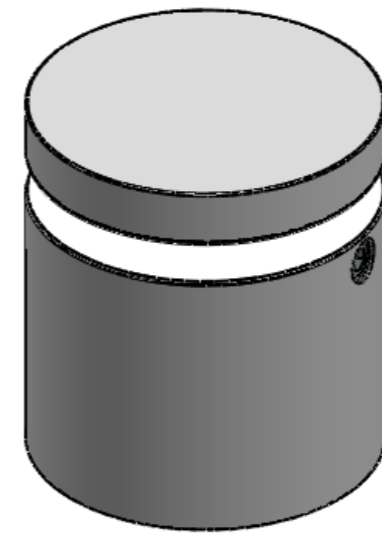
Maximum
 Thickness
 $\frac{1}{2}$ "
 12,8mm



SECTION A-A
SCALE 1.5 : 1



SECTION B-B
SCALE 1.5 : 1



ITEM NO.	PART NUMBER	DESCRIPTION	QTY.
1	EG125-100_Body		1
2	EG125-100_Head		1
3	EG125_Nylon-Washer		2
4	Set_Screw_M4x4mm		1

Title : EG125-100			Scale : 1.5:1	
Material:			Sizes : Letter Landscape	
N°programme laser		Finish		Customer:
N°prog. Mécanum.		Qty :		Rep :
N° Plan : EG125-100				