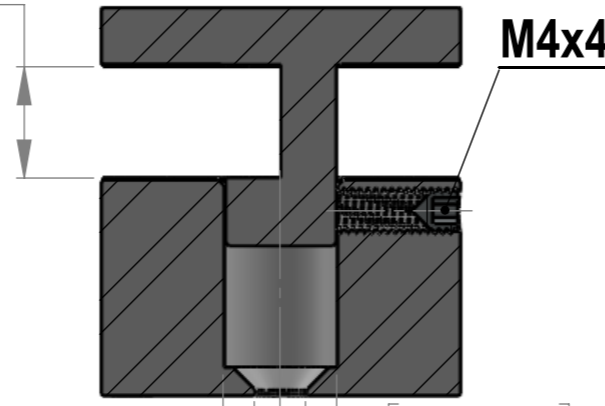
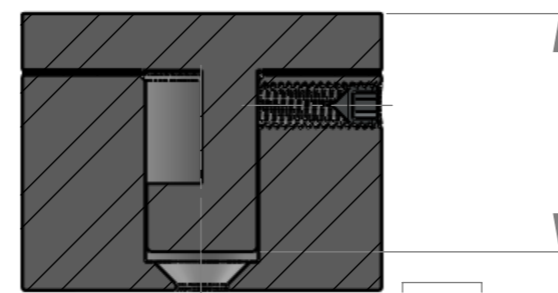


Maximum Thickness

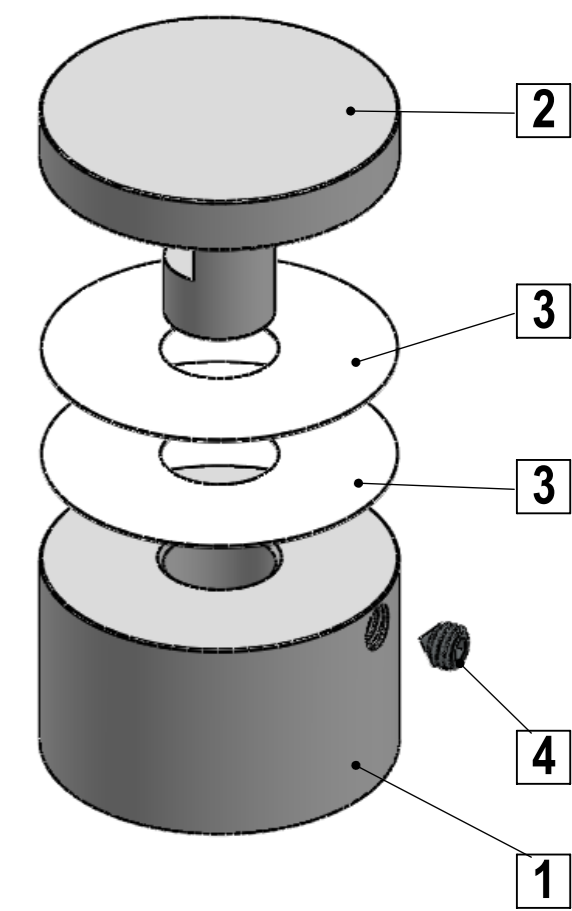
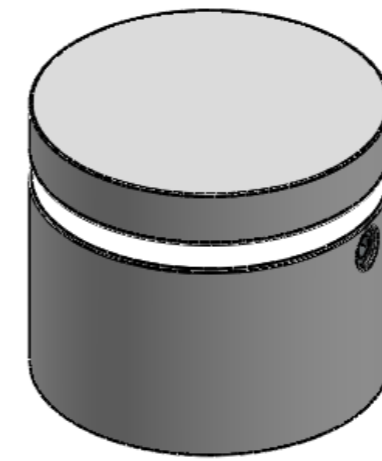
$\left[ \frac{3}{8} \right]$  9,8mm



SECTION A-A  
SCALE 1.5 : 1



SECTION B-B  
SCALE 1.5 : 1



ITEM NO.	PART NUMBER	DESCRIPTION	QTY.
1	EG125-075_Body		1
2	E125-075_Head		1
3	EG125_Nylon-Washer		2
4	Set_Screw_M4x4mm		1

Title : EG125-075			Scale : 1.5:1		
			Sizes : Letter Landscape		
		Material:		Finish	
		N°programme laser		N°prog. Mécanum.	
			Customer:		
			Qty :		
			Rep :		
N° Plan : EG125-075					