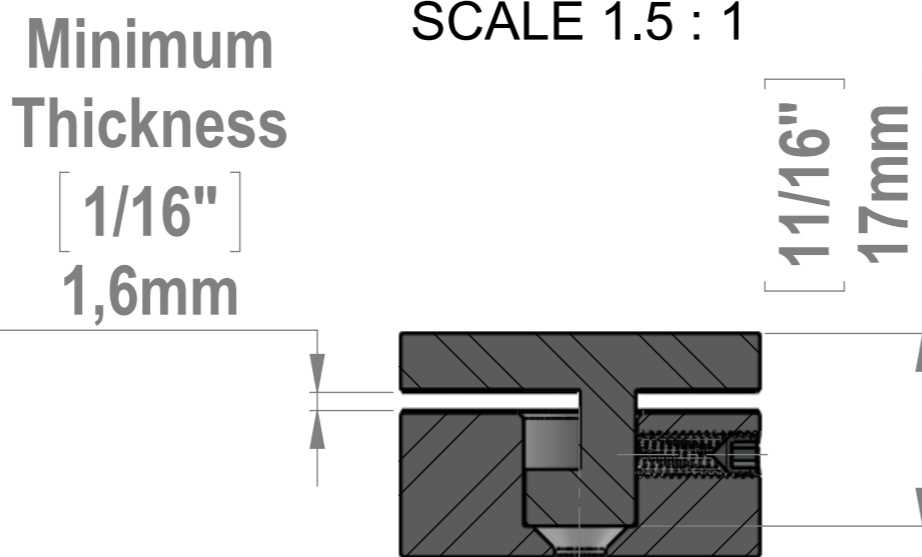
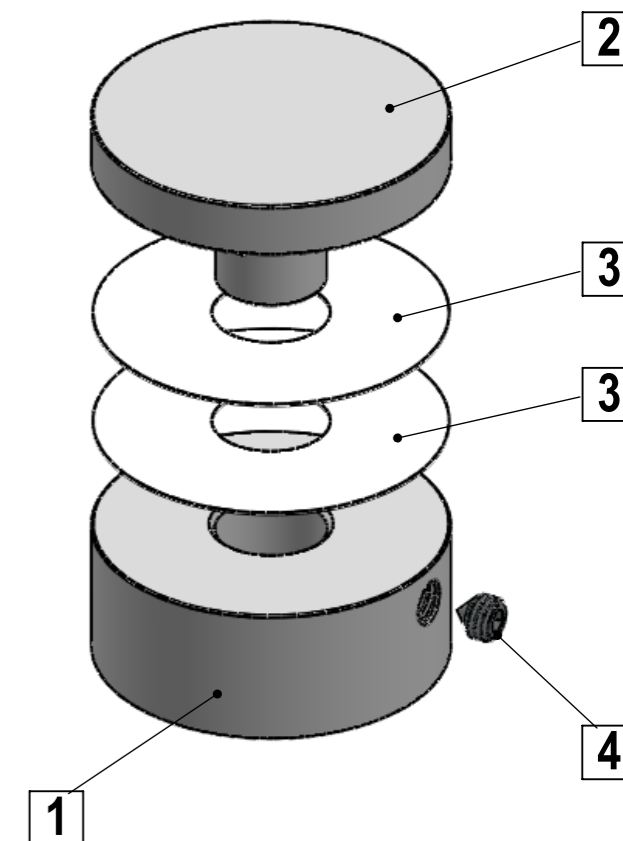
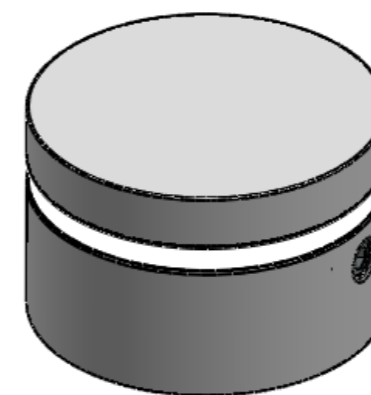
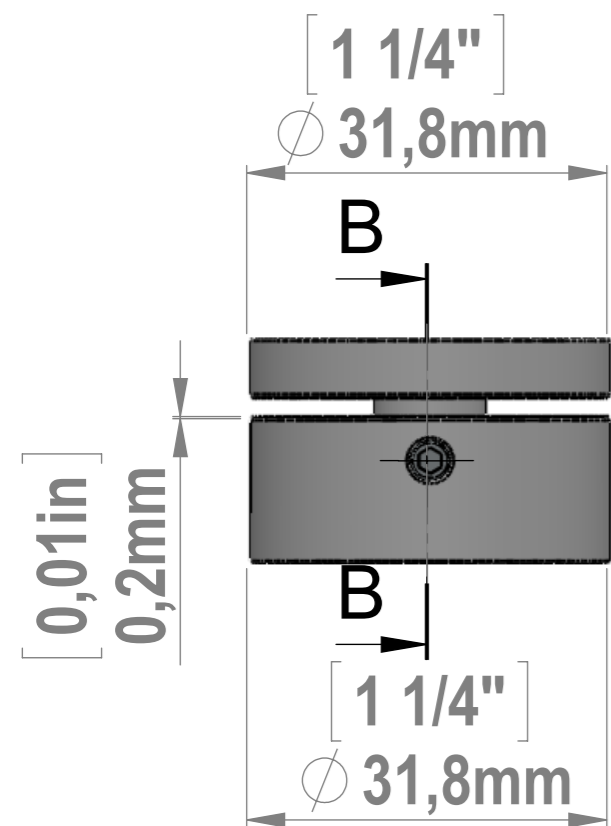


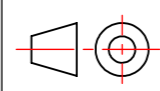
SECTION A-A
SCALE 1.5 : 1



SECTION B-B
SCALE 1.5 : 1



ITEM NO.	PART NUMBER	DESCRIPTION	QTY.
1	EG125-050_Body		1
2	EG125-050_Head		1
3	EG125_Nylon-Washer		2
4	Set_Screw_M4x4mm		1

Title : EG125-050		 Scale : 1.5:1 Sizes : Letter Landscape	Customer:		
Material:			Finish	Qty :	Rep :
N°programme laser		N°prog. Mécanum.	N° Plan : EG125-050		