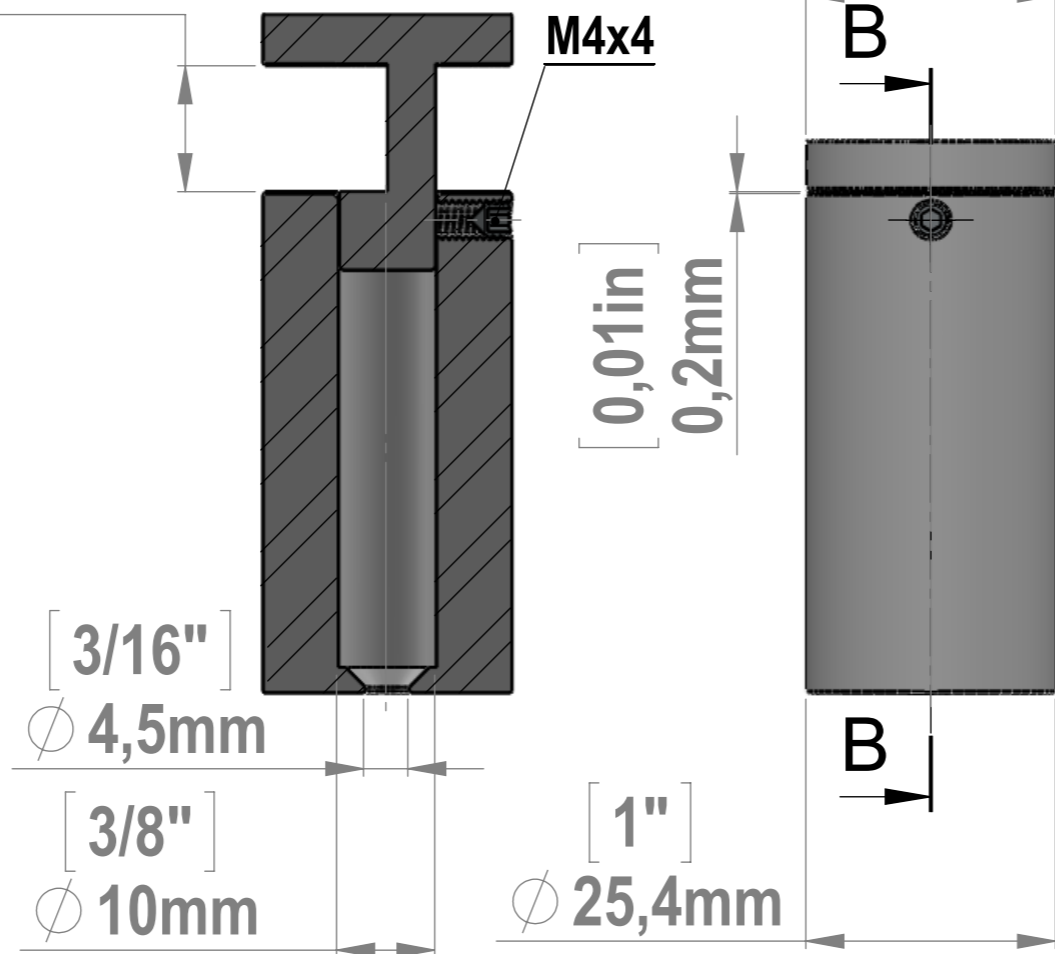
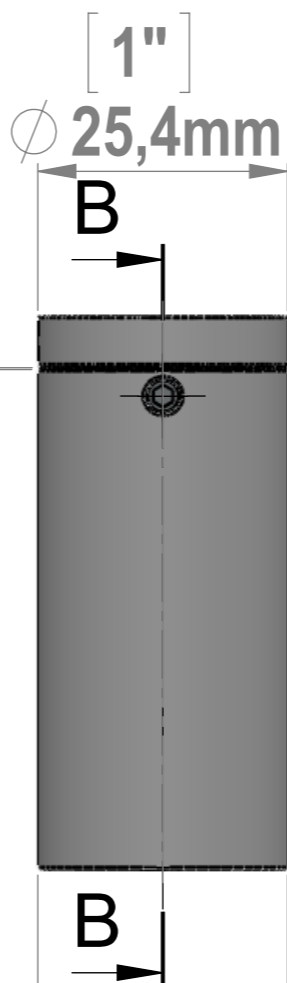


Maximum Thickness

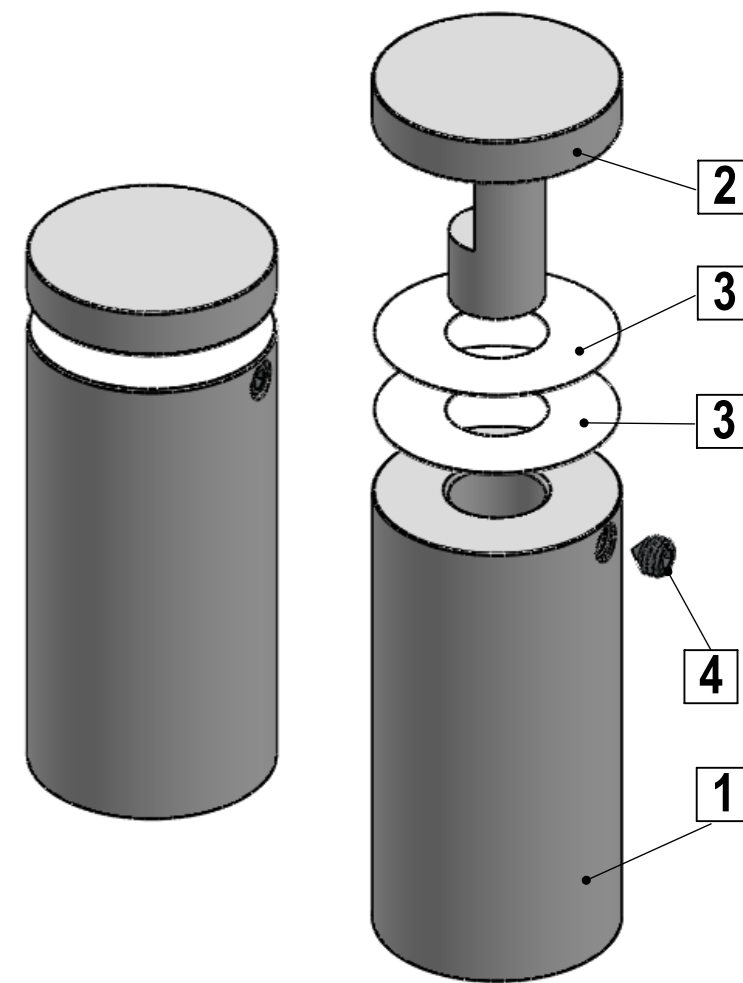
$\left[\frac{1}{2}'' \right]$
12,8mm



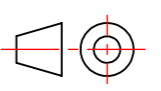
SECTION A-A
SCALE 1.3 : 1



SECTION B-B
SCALE 1.3 : 1



ITEM NO.	PART NUMBER	DESCRIPTION	QTY.
1	EG100-200_Body		1
2	EG100-100_Head		1
3	EG100_Nylon-Washer		2
4	Set_Screw_M4x4mm		1

Title : EG100-200			Scale : 1.3:1	Customer:	
			Sizes : Letter Landscape	Qty :	Rep :
Material:		Finish	N° Plan : EG100-200		
N°programme laser		N°prog. Mécanum.			