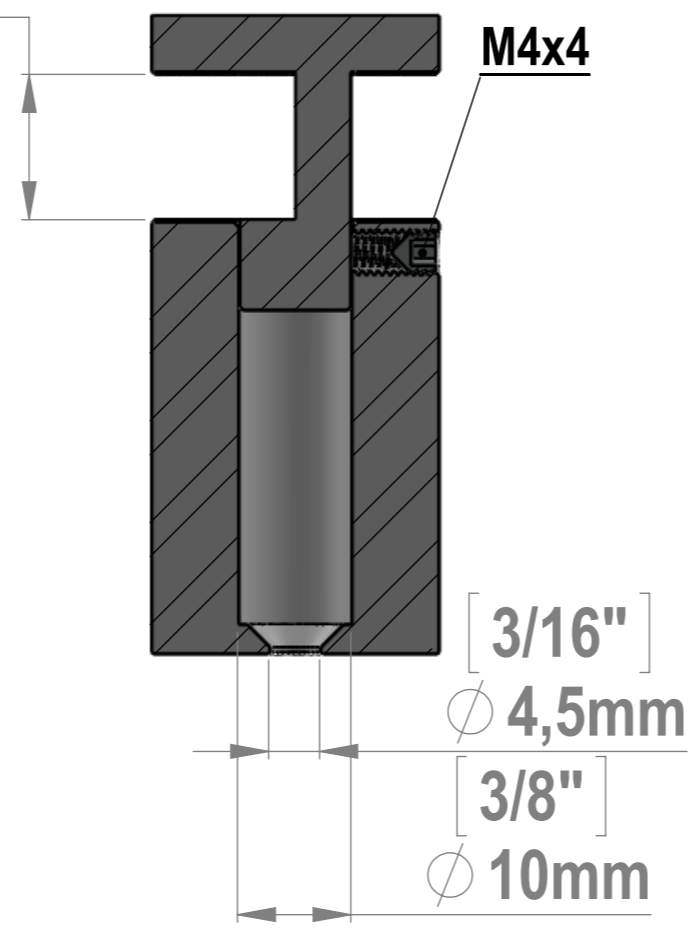
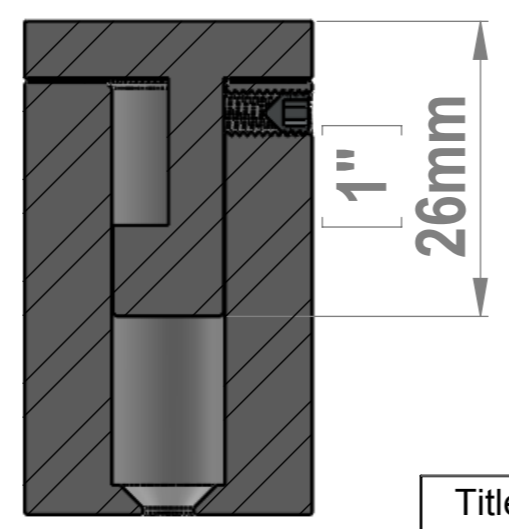


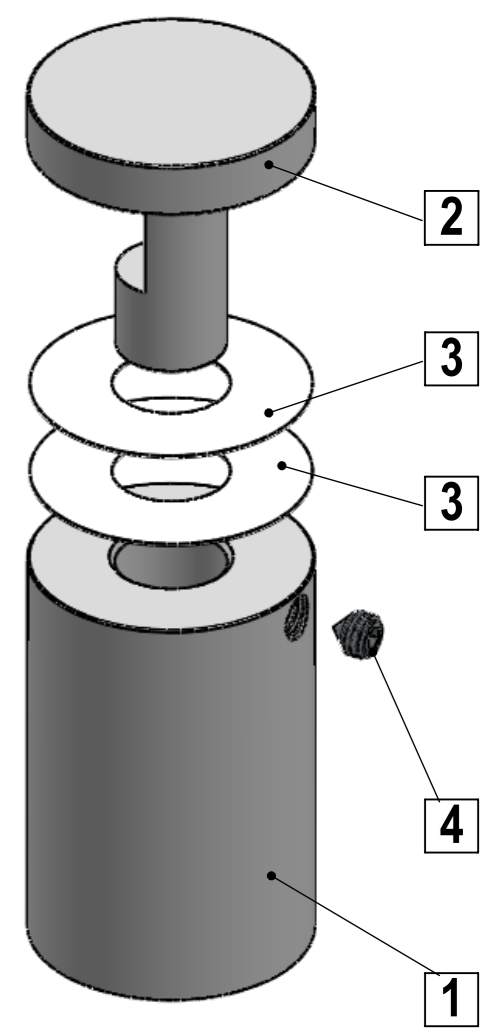
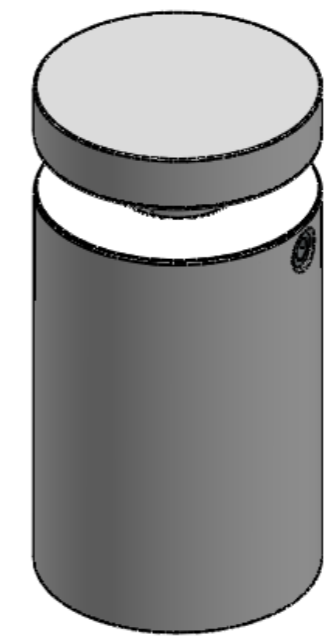
Maximum  
Thickness  
[1/2"]  
12,8mm



SECTION A-A  
SCALE 1.5 : 1



SECTION B-B  
SCALE 1.5 : 1



ITEM NO.	PART NUMBER	DESCRIPTION	QTY.
1	EG100-150_Body		1
2	EG100-100_Head		1
3	EG100_Nylon-Washer		2
4	Set_Screw_M4x4mm		1

Title : EG100-150			Scale : 1.5:1	Customer:	
			Sizes : Letter Landscape	Qty :	Rep :
Material:		Finish	N° Plan : EG100-150		
N°programme laser		N°prog. Mécanum.			