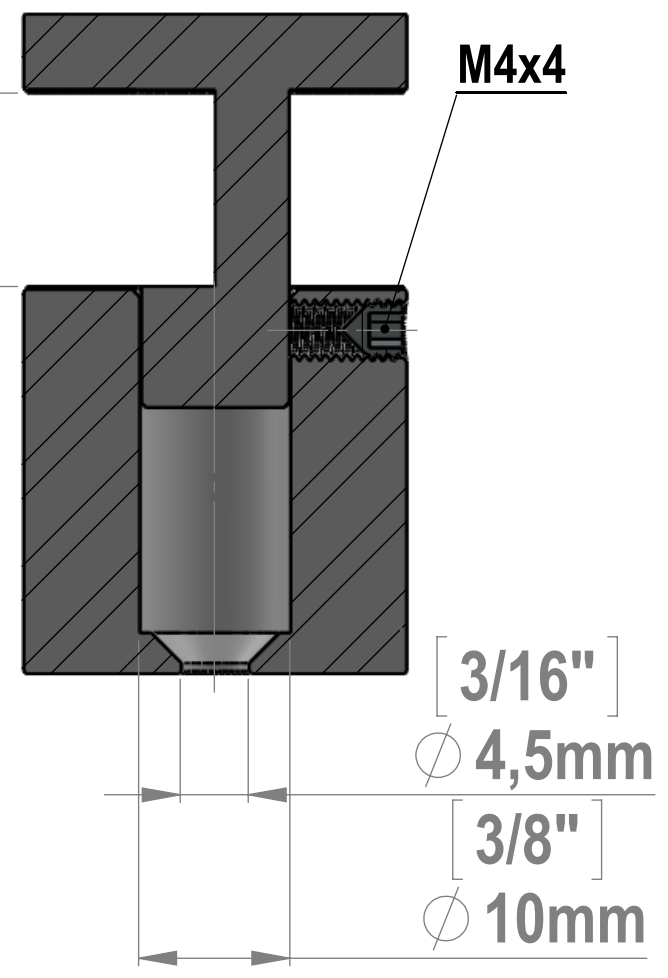
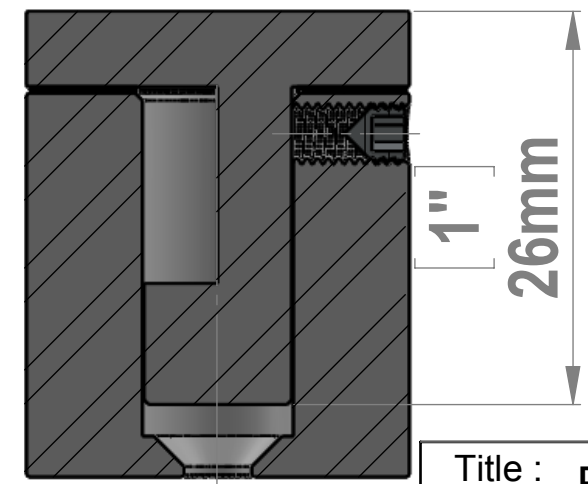


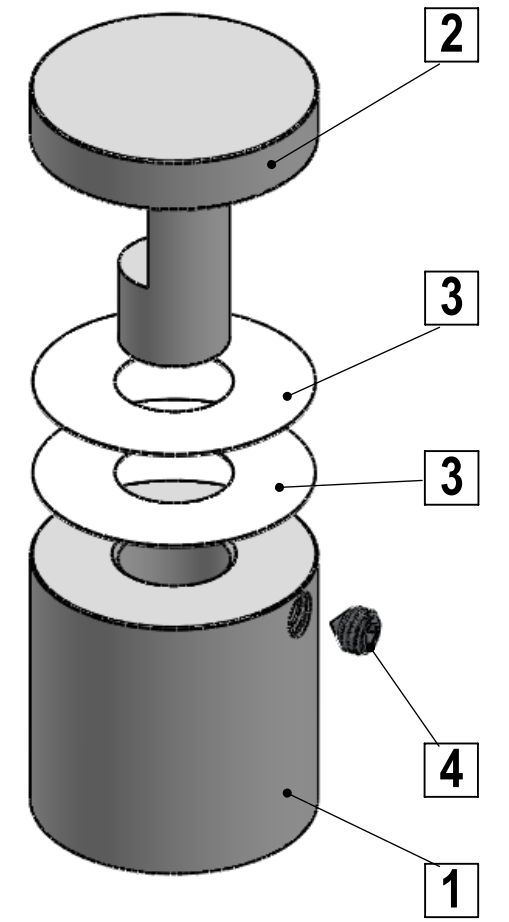
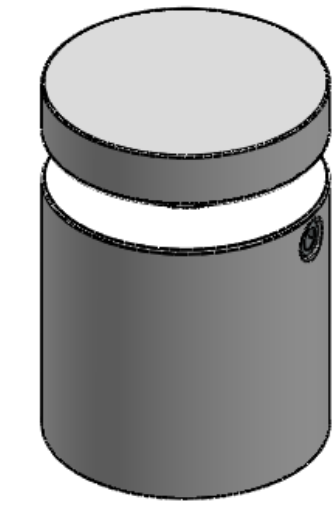
Maximum  
 Thickness  
 $\left[ \frac{1}{2} \right]$   
 12,8mm



SECTION A-A  
SCALE 2 : 1



SECTION B-B  
SCALE 2 : 1



| ITEM NO. | PART NUMBER        | DESCRIPTION | QTY. |
|----------|--------------------|-------------|------|
| 1        | EG100-100_Body     |             | 1    |
| 2        | EG100-100_Head     |             | 1    |
| 3        | EG100_Nylon-Washer |             | 2    |
| 4        | Set_Screw_M4x4mm   |             | 1    |

|                   |  |                  |                          |           |       |
|-------------------|--|------------------|--------------------------|-----------|-------|
| Title : EG100-100 |  |                  | Scale : 1.5:1            | Customer: |       |
| Material:         |  |                  | Sizes : Letter Landscape | Qty :     | Rep : |
| N°programme laser |  | N°prog. Mécanum. | N° Plan : EG100-100      |           |       |