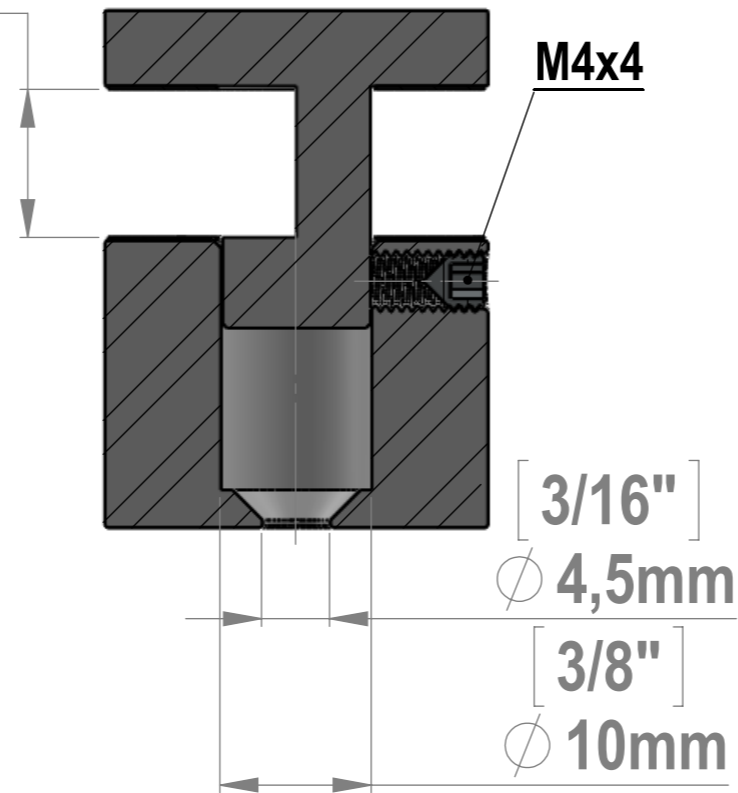
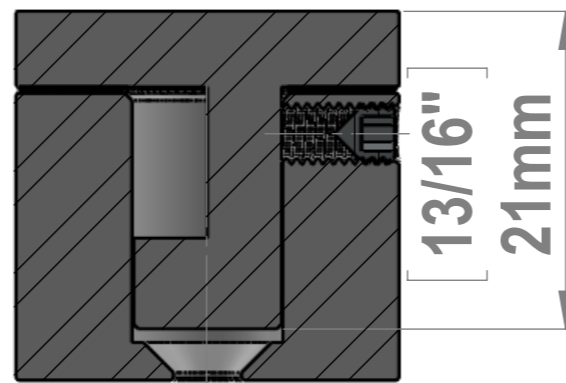


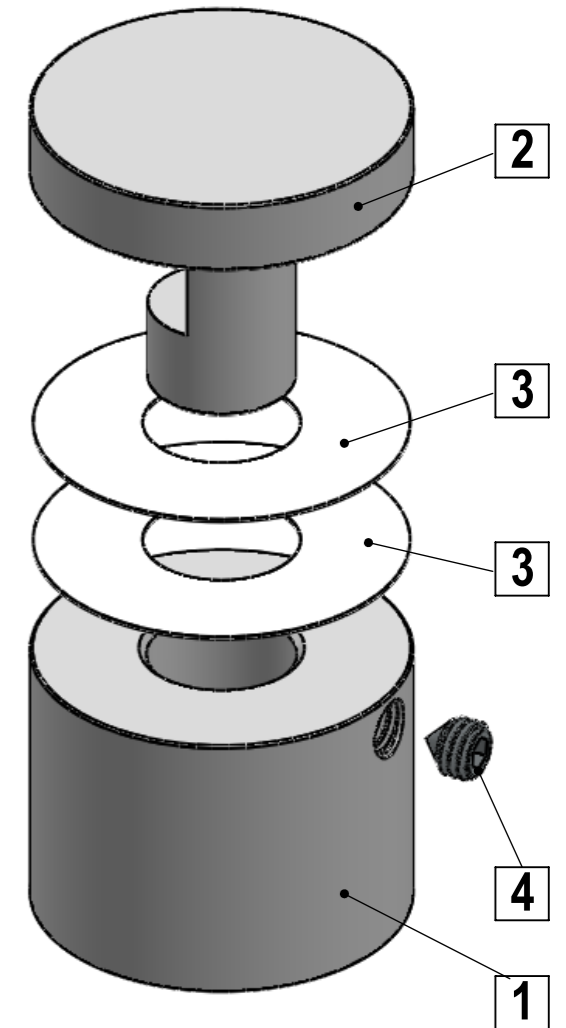
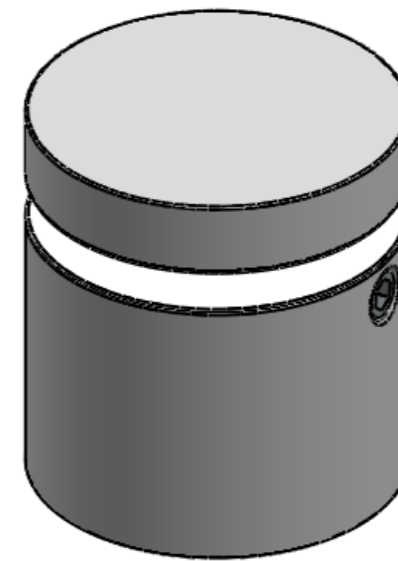
Maximum
Thickness
 $\left[\frac{3}{8} \right]$
9,8mm



SECTION A-A
SCALE 2 : 1



SECTION B-B
SCALE 2 : 1



ITEM NO.	PART NUMBER	DESCRIPTION	QTY.
1	EG100-075_Body		1
2	E100-075_Head		1
3	EG100_Nylon-Washer		2
4	Set_Screw_M4x4mm		1

Title : EG100-075		Scale : 2:1	Customer:	
		Sizes : Letter Landscape	Qty :	Rep :
Material:		Finish		
N°programme laser		N°prog. Mécanum.	N° Plan : EG100-075	