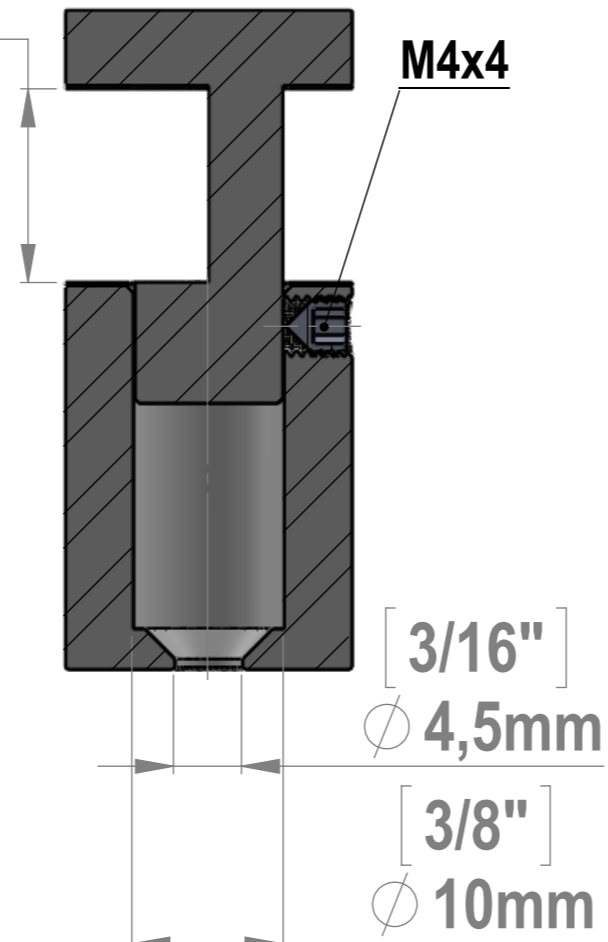
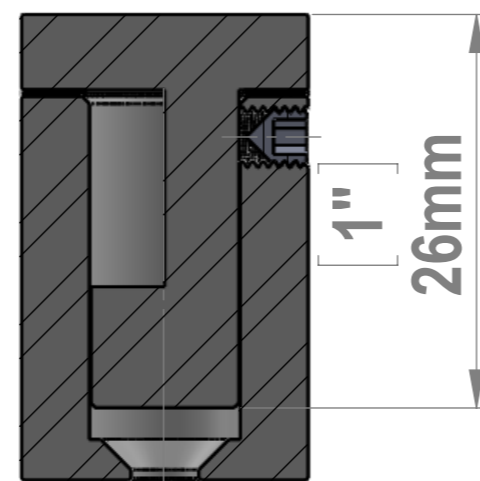


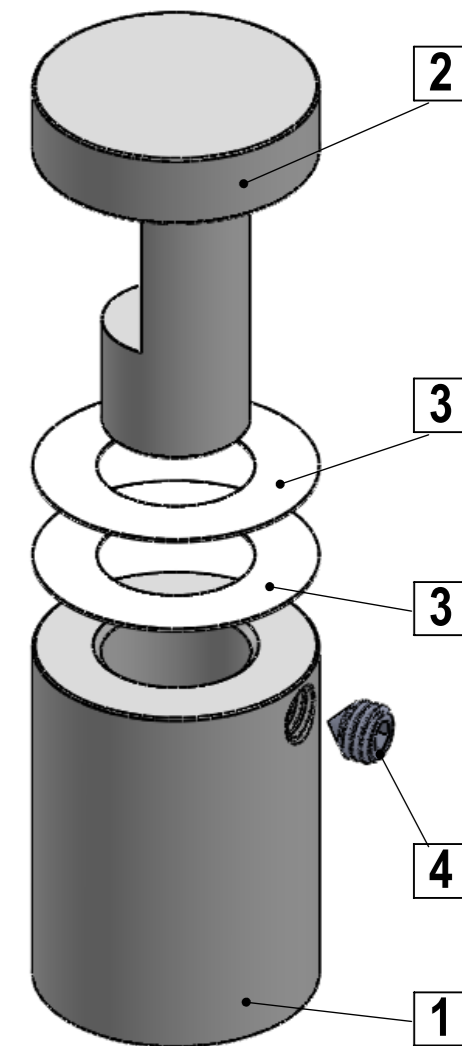
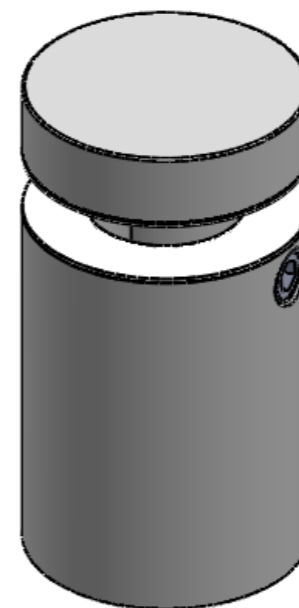
Maximum  
 Thickness  
 $\left[ \frac{1}{2} \right]$   
 12,8mm



SECTION A-A  
SCALE 2 : 1



SECTION B-B  
SCALE 2 : 1



ITEM NO.	PART NUMBER	DESCRIPTION	QTY.
1	EG075-100_Body		1
2	EG075-100_Head		1
3	EG075_Nylon-Washer		2
4	Set_Screw_M4x4mm		1

Title : EG075-100		Scale : 2:1	
		Customer:	
Material:		Finish	
N°programme laser		N°prog. Mécanum.	
		Qty :	Rep :
N° Plan : EG075-100			