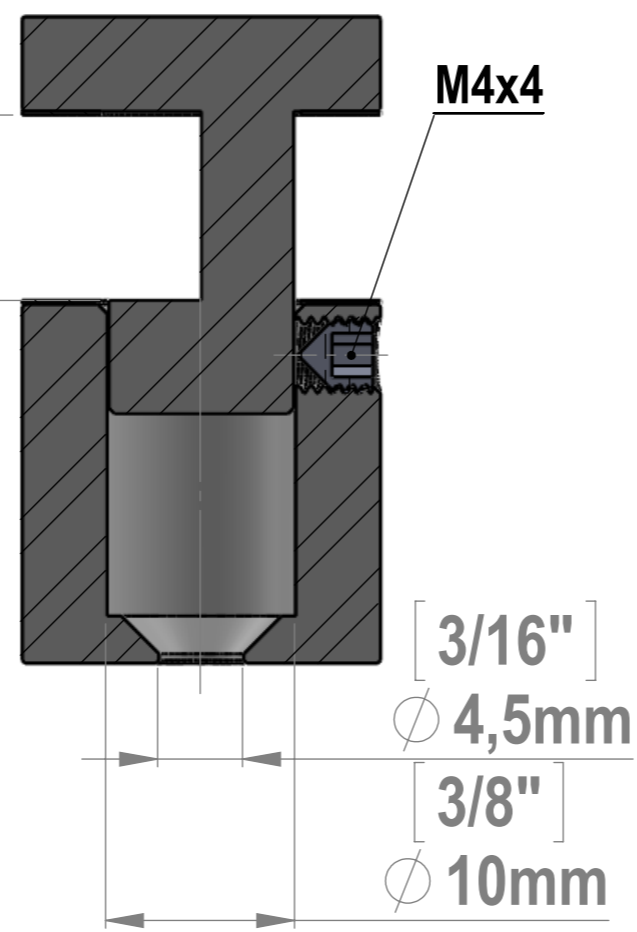
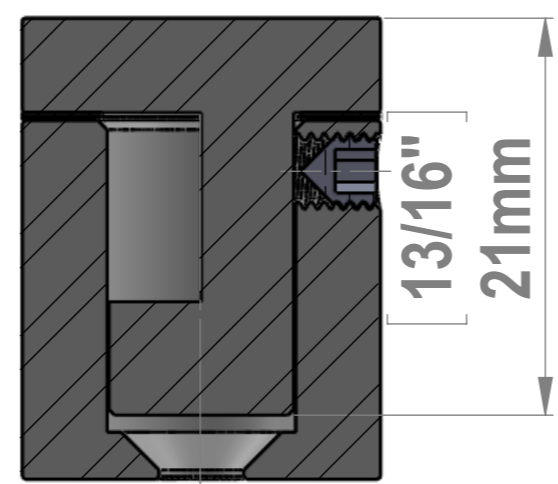


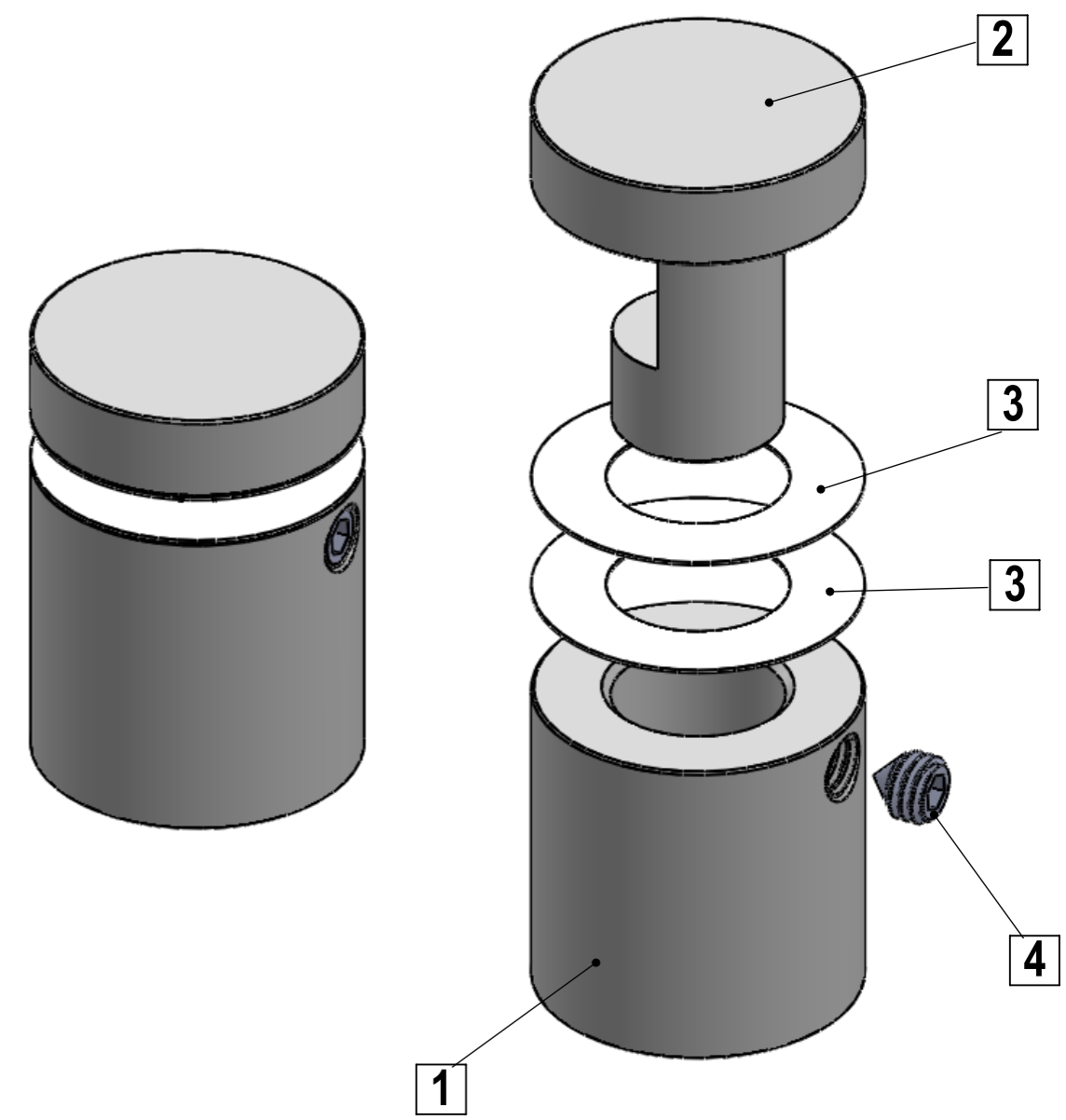
Maximum Thickness
 $\left[\frac{3}{8} \right]$ 9,8mm



SECTION A-A
 SCALE 2.5 : 1



SECTION B-B
 SCALE 2.5 : 1



ITEM NO.	PART NUMBER	DESCRIPTION	QTY.
1	EG075-075_Body		1
2	EG075-075_Head		1
3	EG075_Nylon-Washer		2
4	Set_Screw_M4x4mm		1

Title : EG075-075		Scale : 2.5:1	Customer:	
		Finish	Qty :	Rep :
Material:		N°programme laser	N°prog. Mécanum.	
		N° Plan : EG075-075		