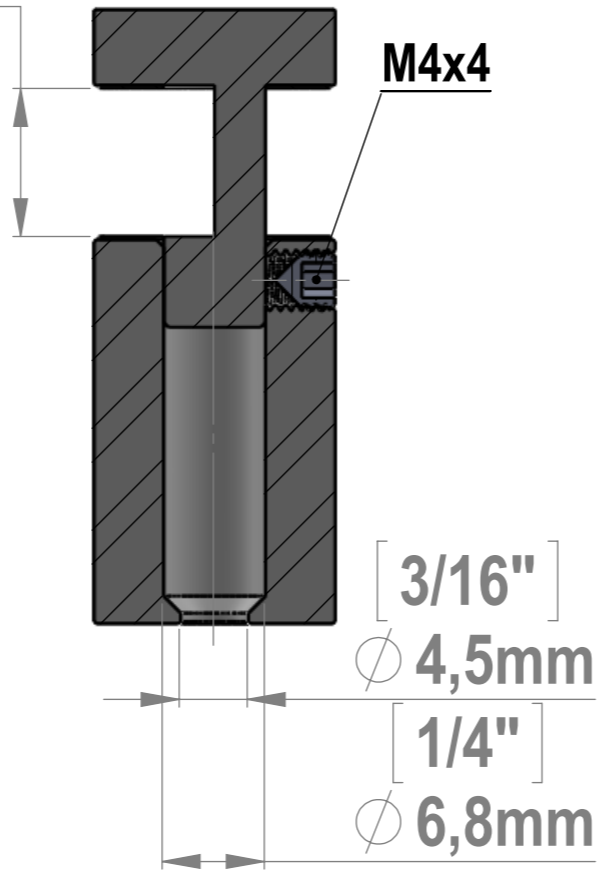
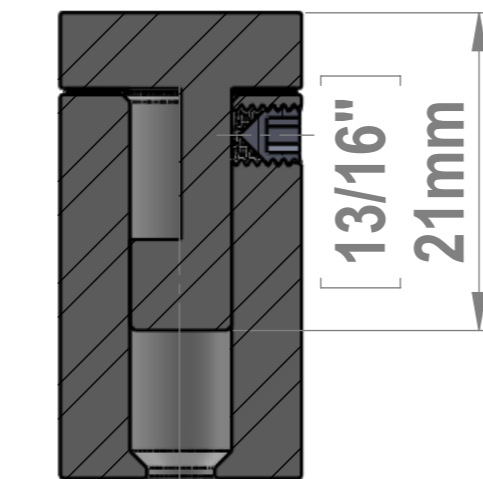


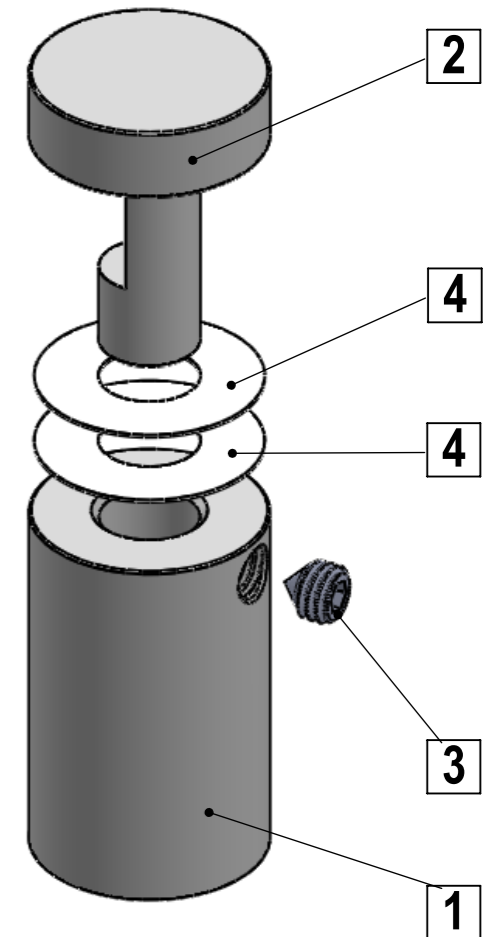
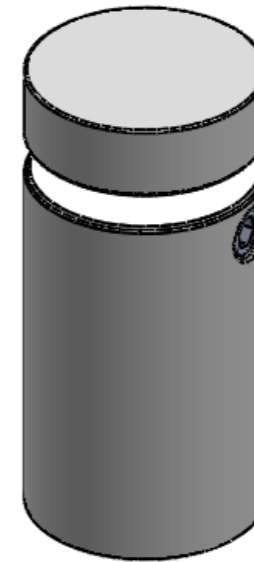
Maximum
 Thickness
 $\frac{3}{8}$ "
 9,8mm



SECTION A-A
SCALE 2:1



SECTION B-B
SCALE 2:1



ITEM NO.	PART NUMBER	DESCRIPTION	QTY.
1	EG058-100_Body		1
2	EG058-075_Head		1
3	Set_Screw_M4x4mm		1
4	EG058_Nylon-Washer		2

Title : EG058-100		Scale : 2:1	
		Customer:	
Material:		Finish	
N°programme laser		N°prog. Mécanum.	
		Qty :	Rep :
N° Plan : EG058-100			