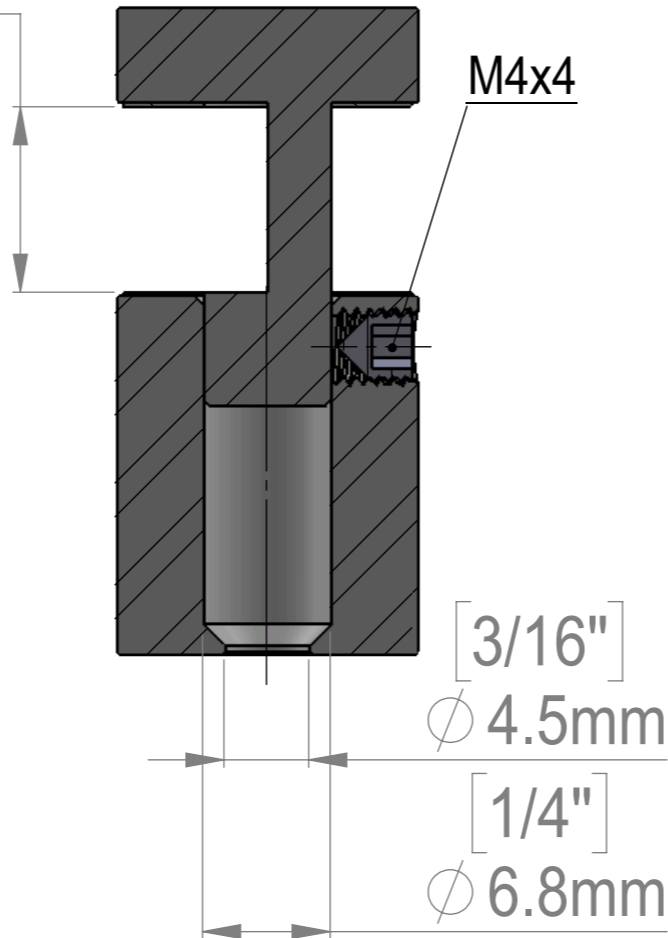
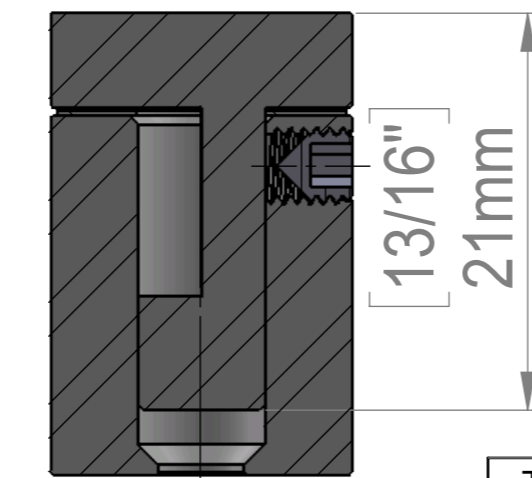


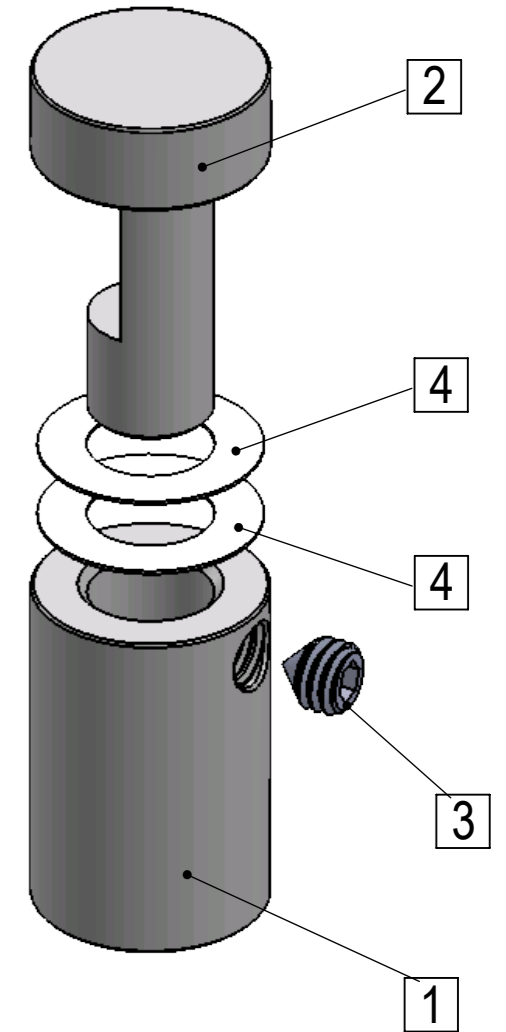
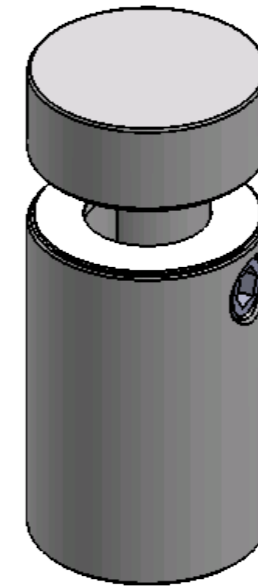
Maximum
Thickness
 $\left[\frac{3}{8} \right]$
9.8mm



SECTION A-A
SCALE 2.5 : 1



SECTION B-B
SCALE 2.5 : 1



ITEM NO.	PART NUMBER	DESCRIPTION	QTY.
1	EG058-075_Body		1
2	EG058-075_Head		1
3	Set_Screw_M4x4mm		1
4	EG058_Nylon-Washer		2

Title : EG058-075		Scale : 2.5:1	Customer:	
		Sizes : Letter Landscape	Qty :	Rep :
Material:		Finish		
N°programme laser		N°prog. Mécanum.	N° Plan : EG058-075	