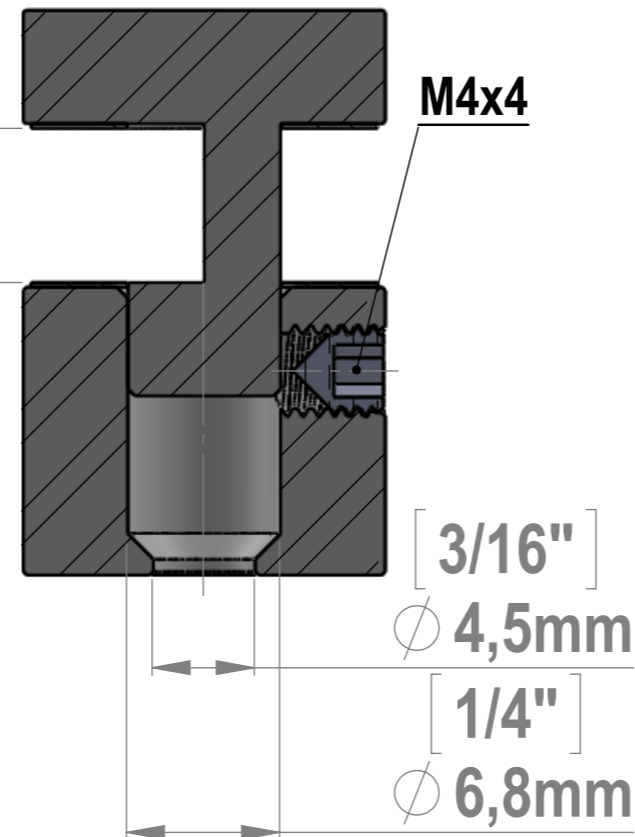


Maximum Thickness

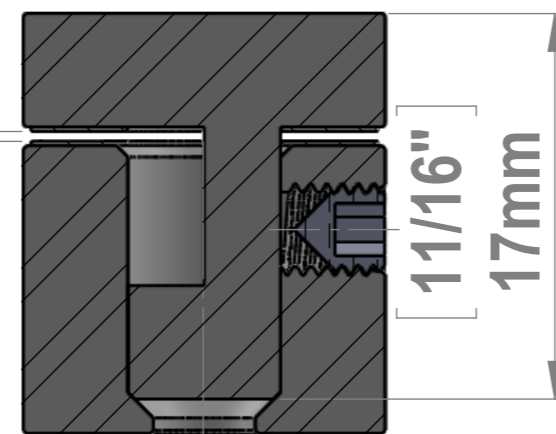
$\left[ \frac{1}{4} \right]$   
6,8mm

Minimum Thickness

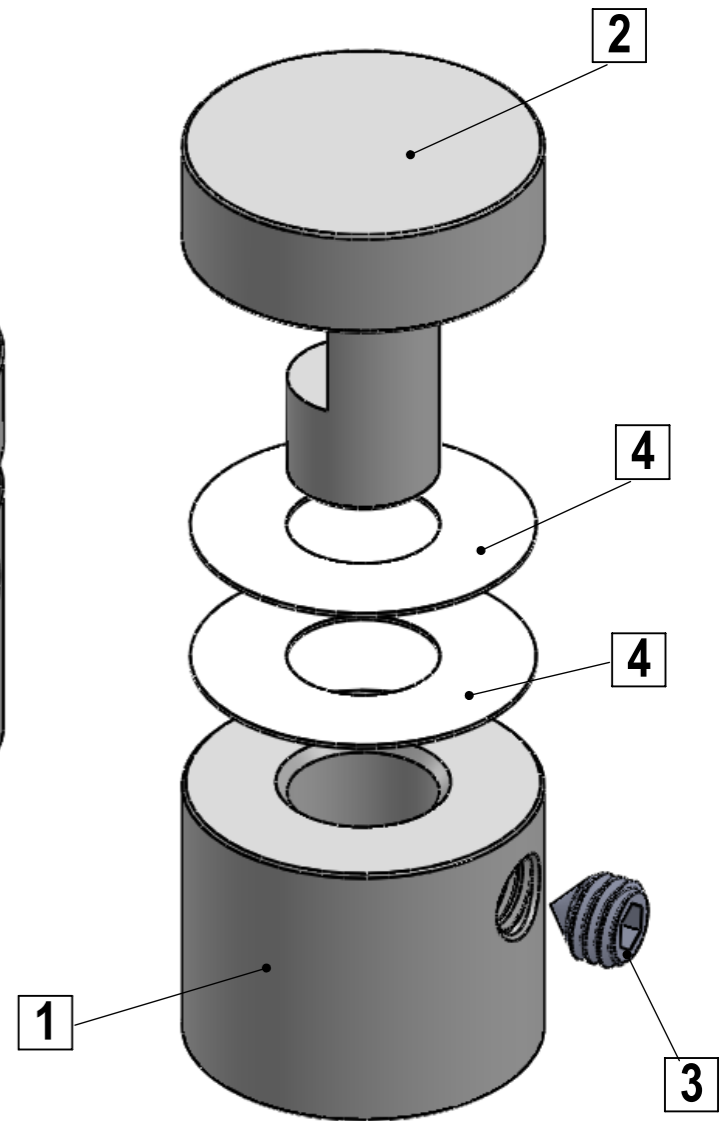
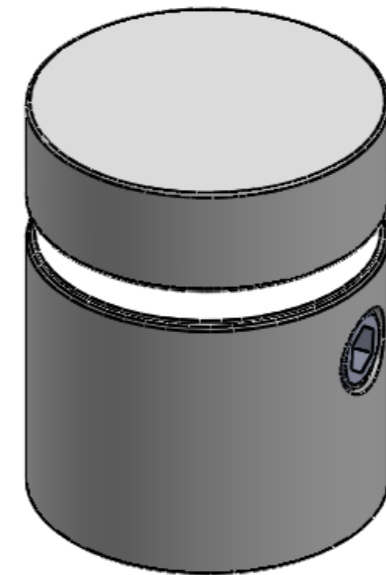
$\left[ 0,02in \right]$   
0,4mm



SECTION B-B  
SCALE 3 : 1



SECTION A-A  
SCALE 3 : 1



ITEM NO.	PART NUMBER	DESCRIPTION	QTY.
1	EG058-050_Body		1
2	EG058-050_Head		1
3	Set_Screw_M4x4mm		1
4	EG058_Nylon-Washer		2

Title : EG058-050		Scale : 3:1	Customer:	
		Finish	Qty :	Rep :
Material:		N°programme laser	N°prog. Mécanum.	
		N° Plan : EG058-050		