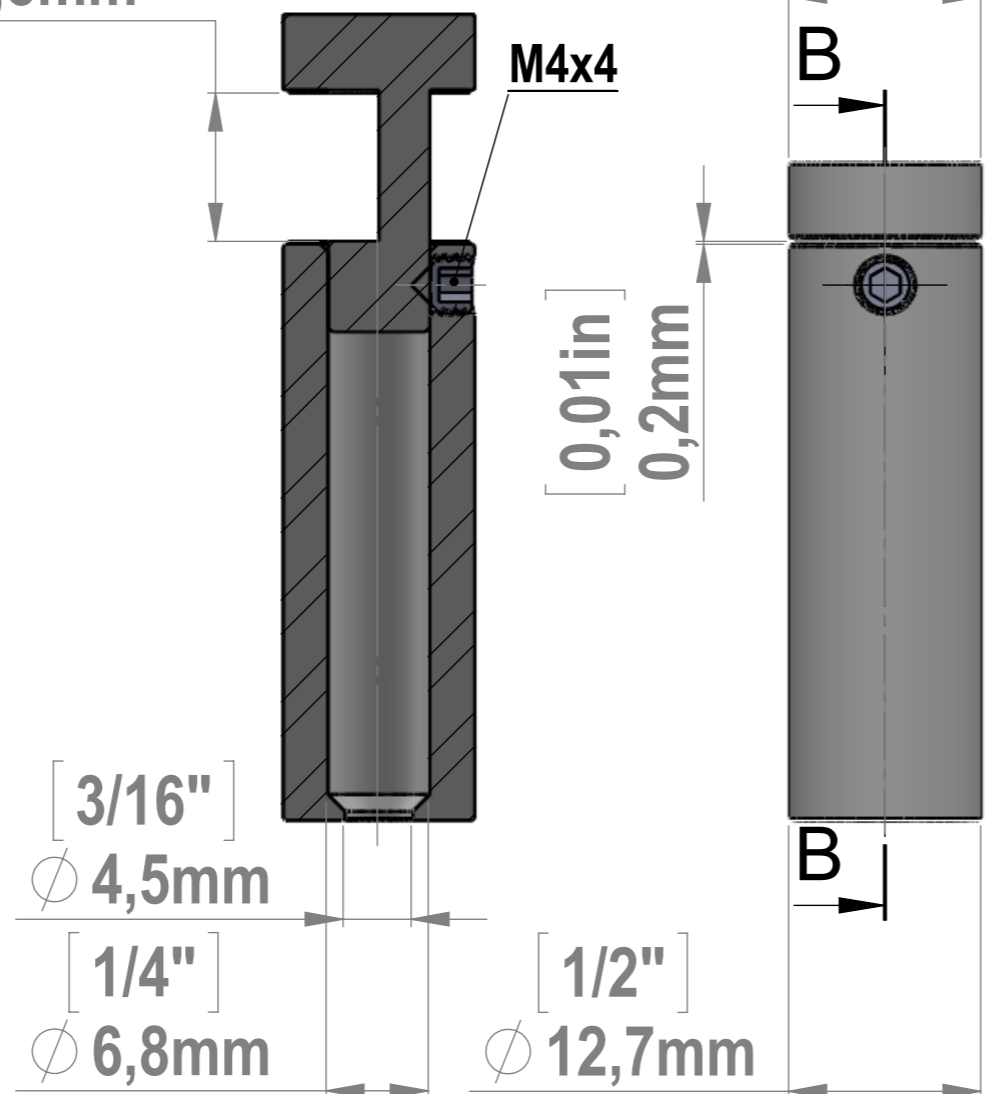
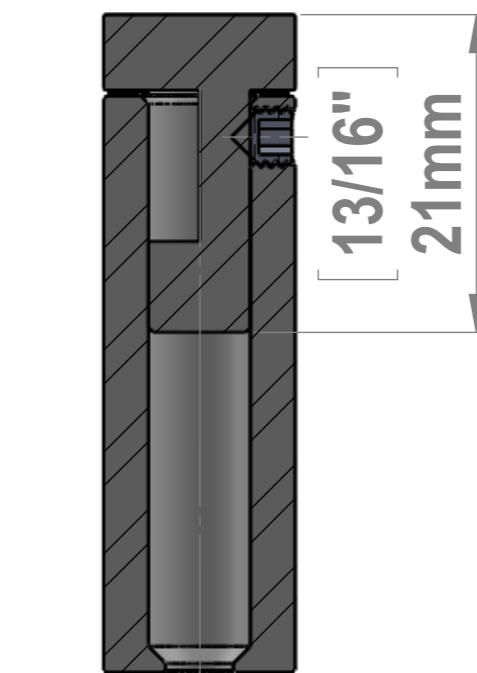


Maximum Thickness

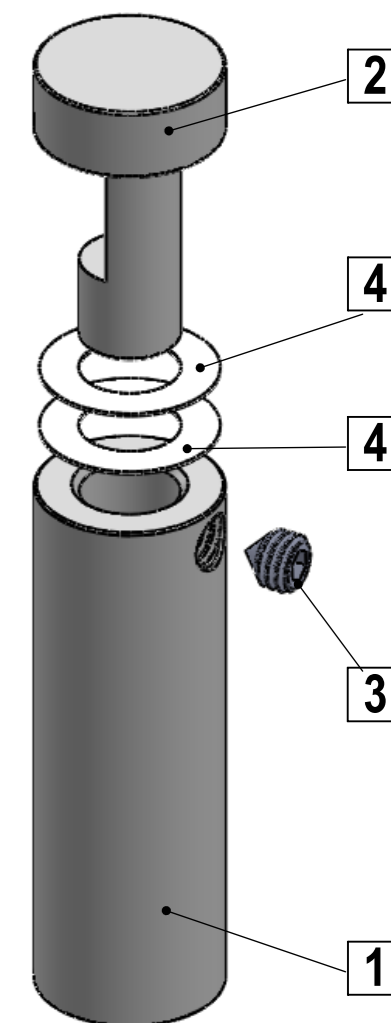
3/8" 9,8mm



SECTION A-A
SCALE 2 : 1



SECTION B-B
SCALE 2 : 1



ITEM NO.	PART NUMBER	DESCRIPTION	QTY.
1	EG050-150_Body		1
2	EG050-075_Head		1
3	Set_Screw_M4x4mm		1
4	EG050_Nylon-Washer		2

Title : EG050-150		Scale : 2:1	
		Customer:	
Material:		Finish	
N°programme laser		N°prog. Mécanum.	
		Qty :	Rep :
N° Plan : EG050-150			