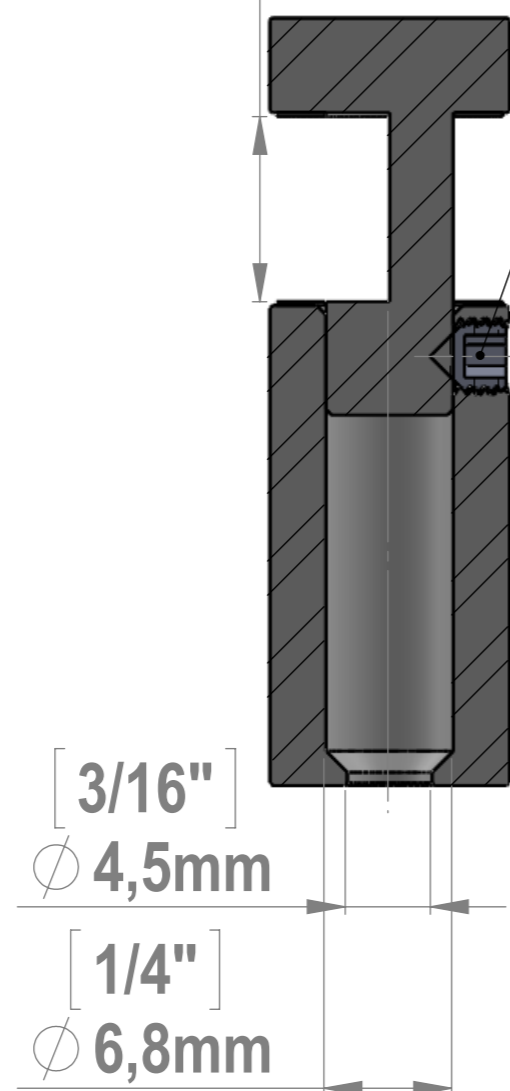
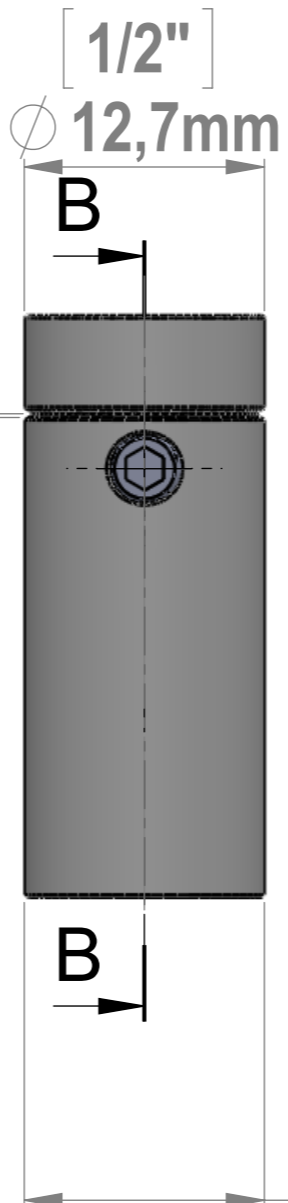


Maximum Thickness

3/8" 9,8mm

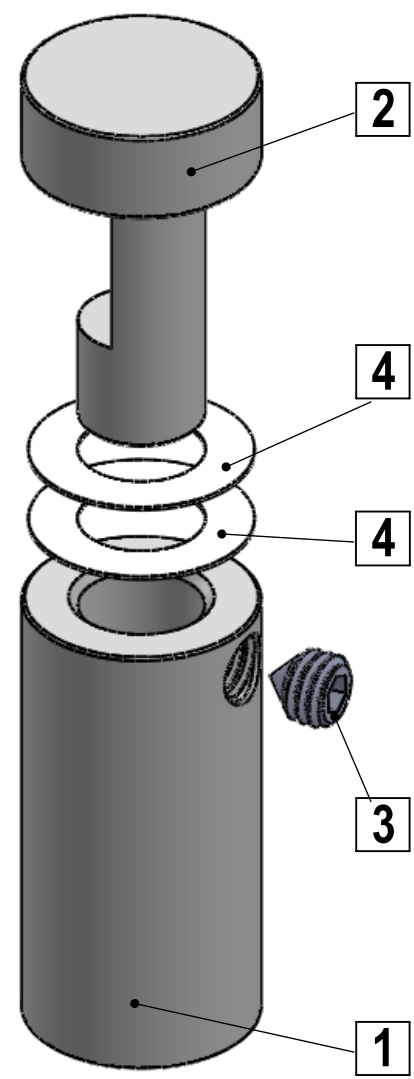
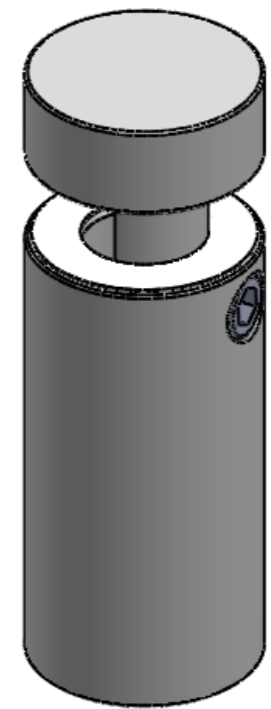
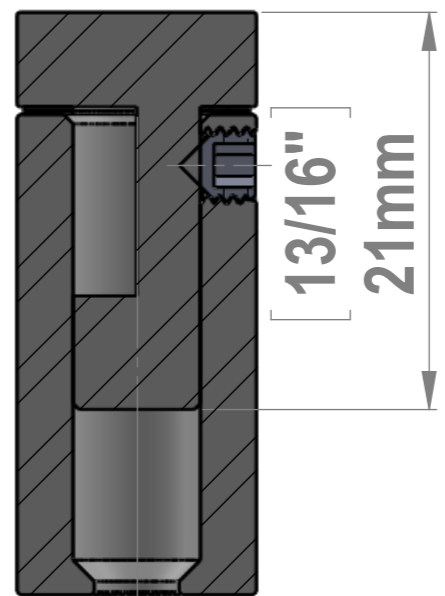


SECTION A-A
SCALE 2.5 : 1



SECTION B-B
SCALE 2.5 : 1

1/2" 12,7mm



ITEM NO.	PART NUMBER	DESCRIPTION	QTY.
1	EG050-100_Body		1
2	EG050-075_Head		1
3	Set_Screw_M4x4mm		1
4	EG050_Nylon-Washer		2

Title : EG050-100			Scale : 2.5:1	Customer:	
			Sizes : Letter Landscape	Qty :	Rep :
Material:		Finish			
N°programme laser		N°prog. Mécanum.		N° Plan : EG050-100	