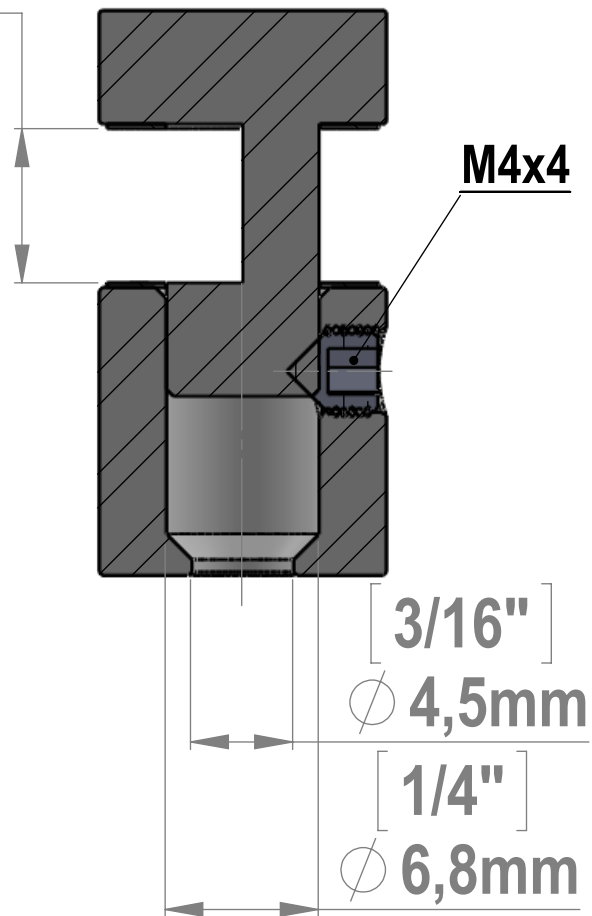
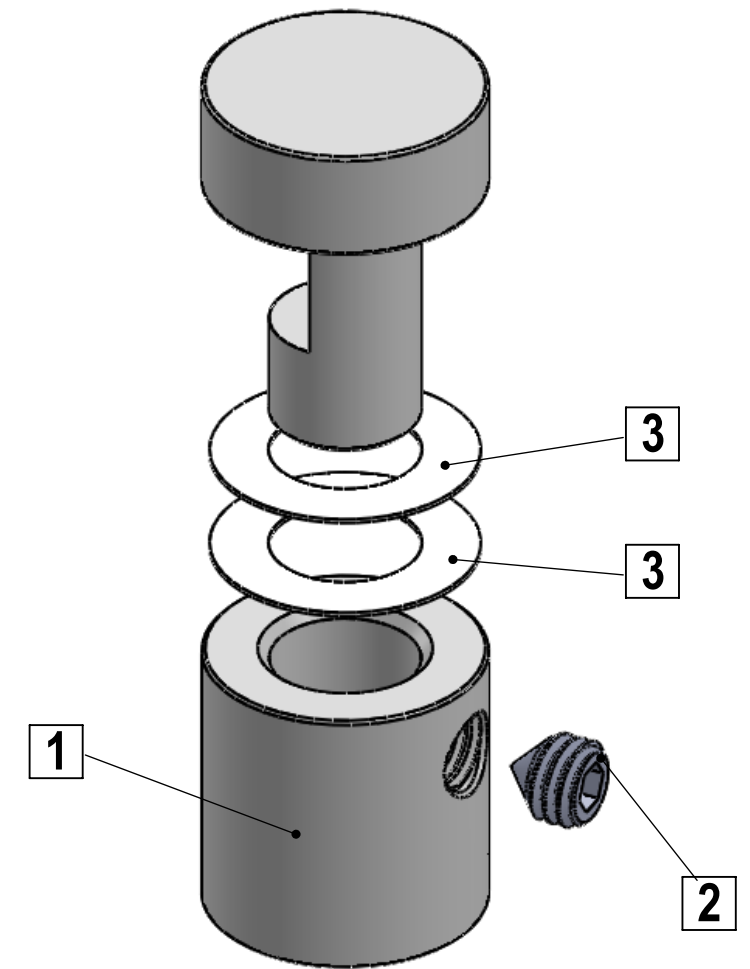
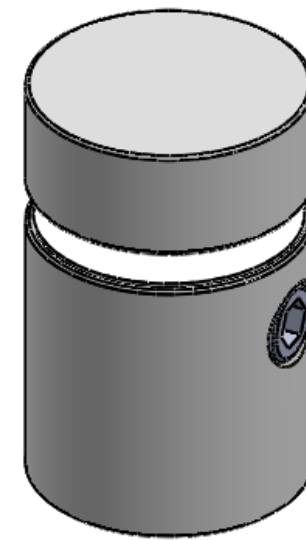
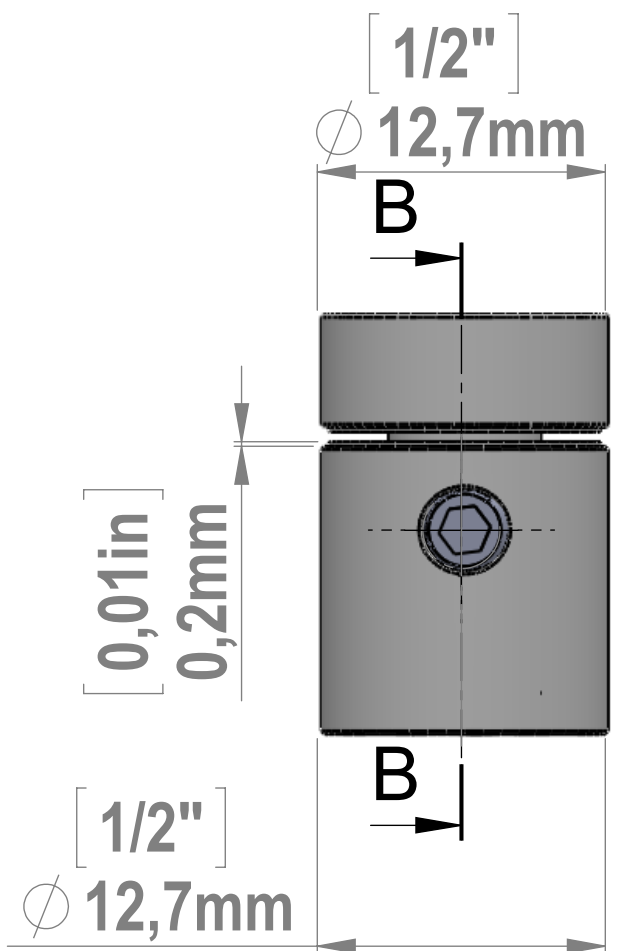
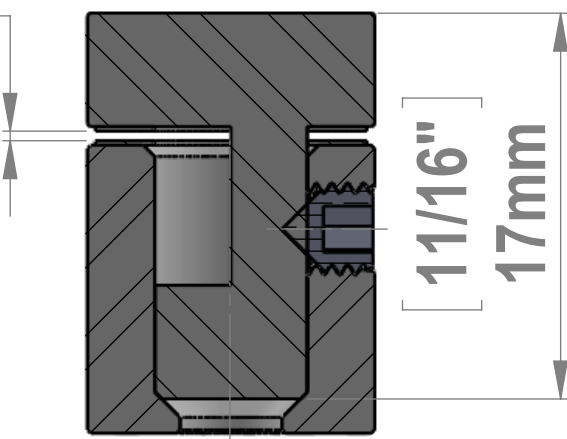


Maximum
 Thickness
 $\left[\frac{1}{4}'' \right]$
 6,8mm



Minimum
 Thickness
 $\left[0,02\text{in} \right]$
 0,4mm

SECTION A-A
SCALE 3 : 1



ITEM NO.	PART NUMBER	DESCRIPTION	QTY.
1	EG050-050_Body		1
2	Set_Screw_M4x4mm		1
3	EG050_Nylon-Washer		2
4	EG050-050_Head		1

Title : EG050-050		Scale : 3:1	
		Customer:	
Material:		Finish	
N°programme laser		N°prog. Mécanum.	
		Qty :	Rep :
N° Plan : EG050-050			